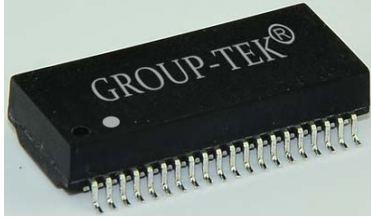


10/100 BASE TRANSFORMER

Features:

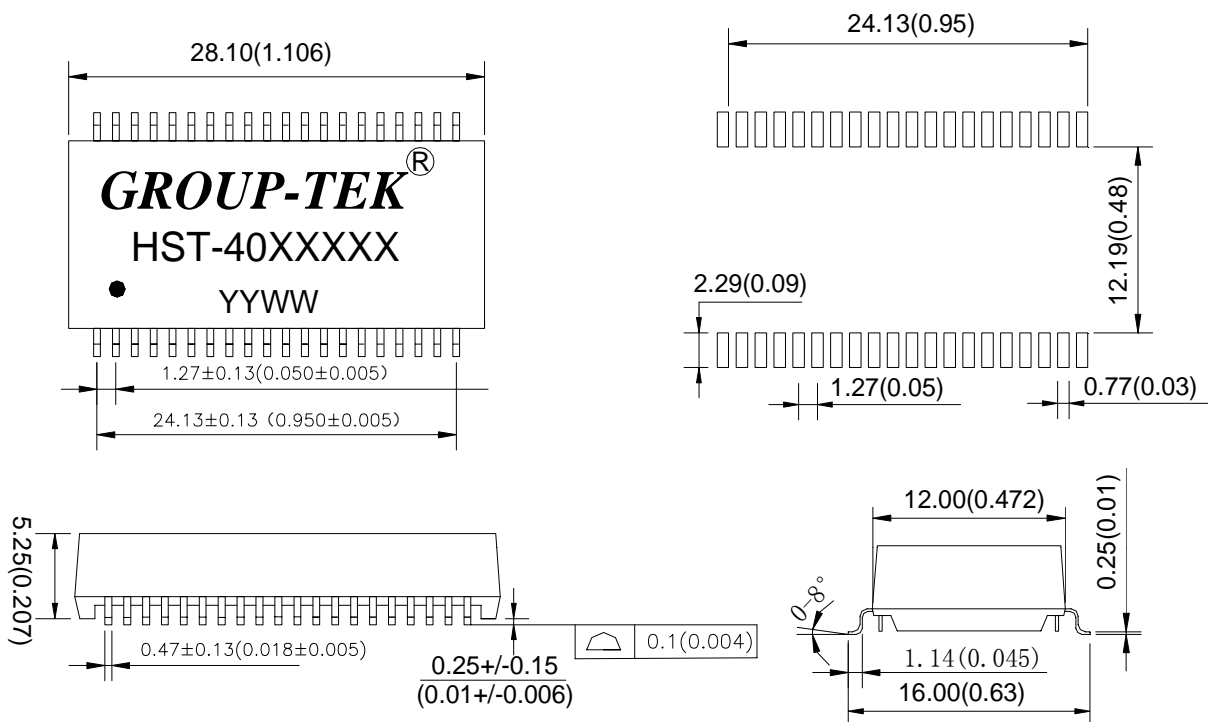


- Designed to meet IEEE 802.3 requirements.
- Primary inductance(Lp)350uH min.@100KHz,0.1Vrms,DC 8mA
- Capacitance between windings (Cww)75pF Max(at 100kHz, 0.1V)
- Leakage Inductance (LL) 0.5uH Max (at 100kHz, 0.1V).
- Primary DCR:0.9ΩMax;Secondary DCR:1.2ΩMax.
- Balance Inductance (BL) 1.0uH Max (at 100kHz, 0.1V).
- Designed for reflow soldering at temperature 260°C Max.
- RoHS compliance.

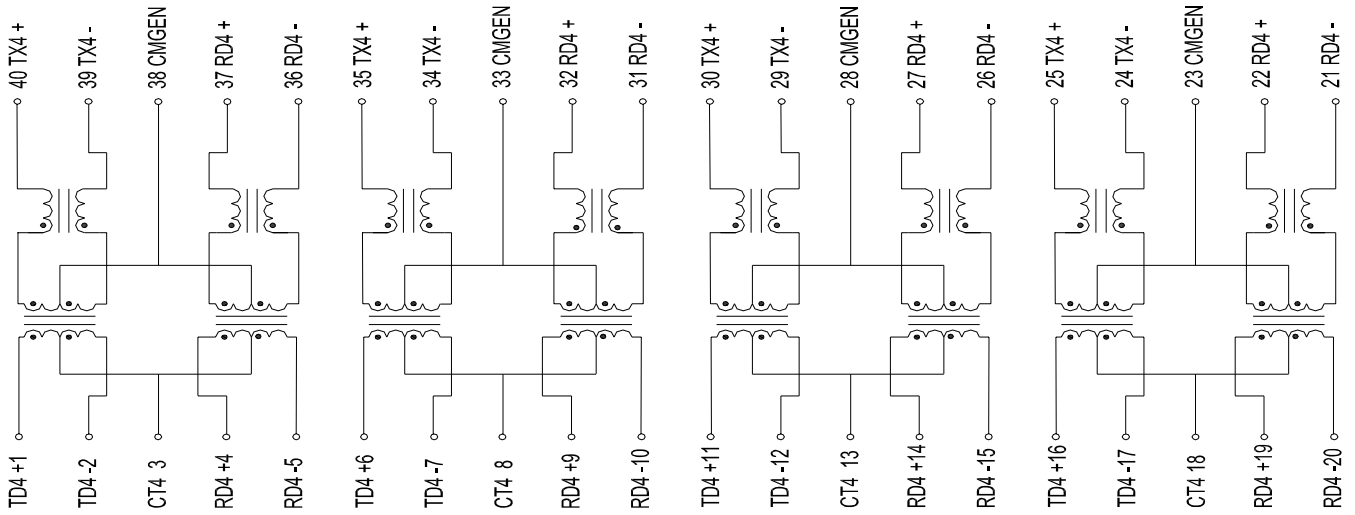
Electrical Specification @ 25°C

Part No.	Turn Ratio RX.TX . (±5%)	PoE or Non PoE	Operating Temperature	Insertion loss (dB max) 0.1-100MHz	Return loss(dB min .) MHz				CMR (dB Min .) MHz		Crosstalk (dB min .) MHz				Isolation Volage (Vrms)
					2-30	40	50	60-80	1-60	60-200	1	30	60	100	
HST-4047SCR	1CT:1CT /1CT:1CT	Non PoE	0°C to +70°C	-1.0	-18	-14.4	-13.1	-12	-37	-25	-55	-45	-40	-33	1500VAC/1mA/60S
HST-4047SXR	1CT:1CT /1CT:1CT	Non PoE	-40°C to +85°C	-1.0	-18	-14.4	-13.1	-12	-37	-25	-55	-45	-40	-33	1500VAC/1mA/60S
HST-4047SAR	1CT:1CT /1CT:1CT	Non PoE	0°C to +70°C	-1.0	-18	-14.4	-13.1	-12	-37	-25	-55	-45	-40	-33	1500VAC/1mA/60S
HST-4091SCR	1CT:1CT /1CT:1CT	Non PoE	0°C to +70°C	-1.0	-18	-14.4	-13.1	-12	-37	-25	-55	-45	-40	-33	1500VAC/1mA/60S
HST-4092SCR	1CT:1CT /1CT:1CT	Non PoE	0°C to +70°C	-1.0	-18	-14.4	-13.1	-12	-37	-25	-55	-45	-40	-33	1500VAC/1mA/60S
HST-4093SCR	1CT:1CT /1CT:1CT	Non PoE	0°C to +70°C	-1.0	-18	-14.4	-13.1	-12	-37	-25	-55	-45	-40	-33	1500VAC/1mA/60S
HST-4094SCR	1CT:1CT /1CT:1CT	Non PoE	0°C to +70°C	-1.0	-18	-14.4	-13.1	-12	-37	-25	-55	-45	-40	-33	1500VAC/1mA/60S
HST-4095SCR	1CT:1CT /1CT:1CT	Non PoE	0°C to +70°C	-1.0	-18	-14.4	-13.1	-12	-37	-25	-55	-45	-40	-33	1500VAC/1mA/60S
HST-4096SCR	1CT:1CT /1CT:1CT	Non PoE	0°C to +70°C	-1.0	-18	-14.4	-13.1	-12	-37	-25	-55	-45	-40	-33	1500VAC/1mA/60S
HST-4097SCR	1CT:1CT /1CT:1CT	Non PoE	0°C to +70°C	-1.0	-18	-14.4	-13.1	-12	-37	-25	-55	-45	-40	-33	1500VAC/1mA/60S

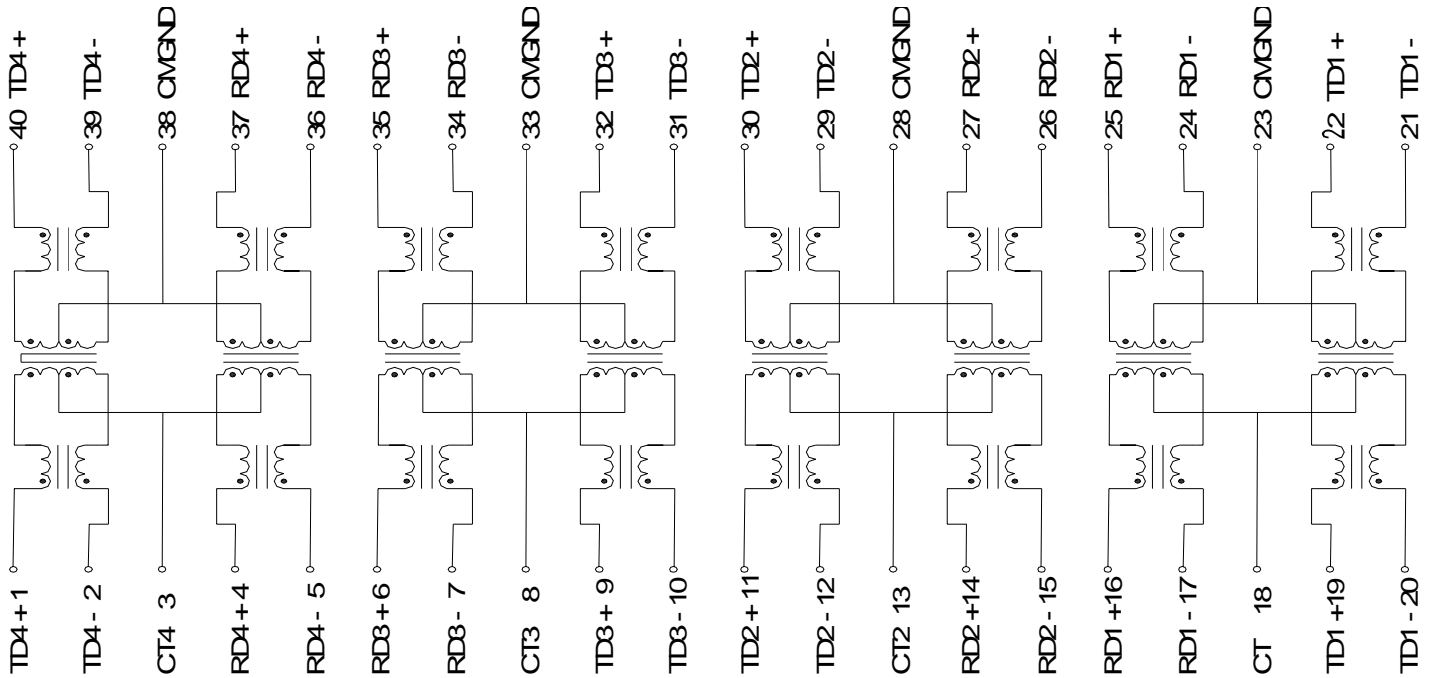
Dimension:mm(inch),Unless otherwise specified , all tolerance are ±0.25(0.01)



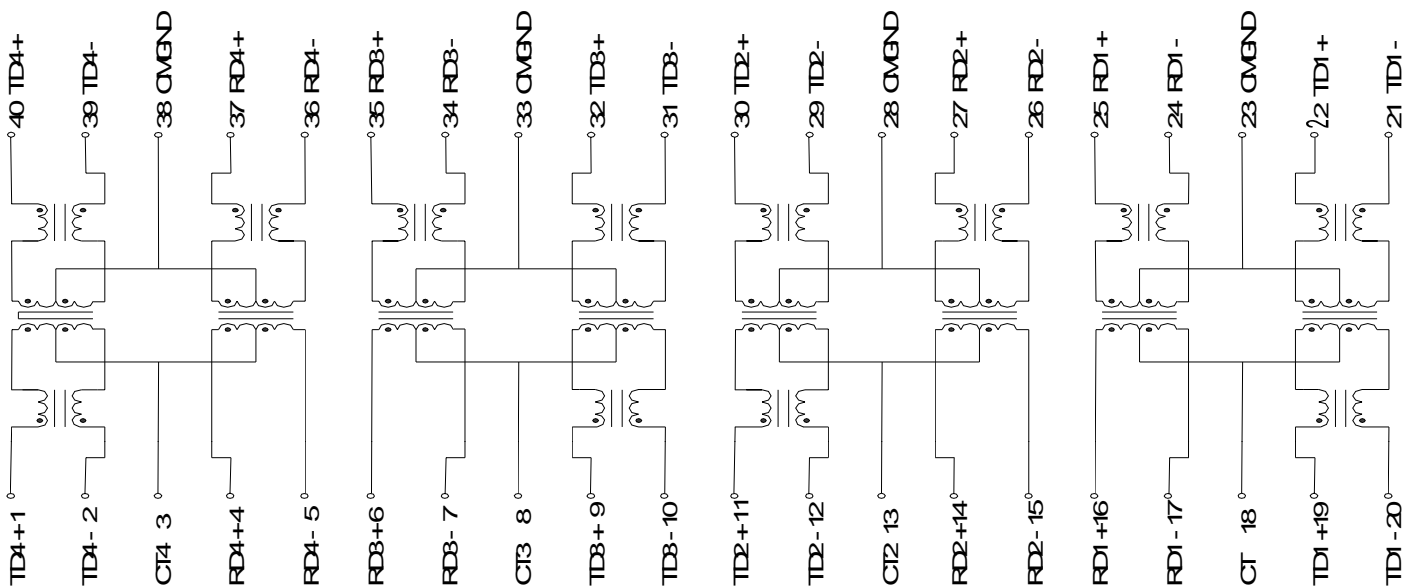
Schematic:HST-4047SCR/HST-4047SXCR/HST-4091SCR/HST-4092SCR/HST-4093SCR



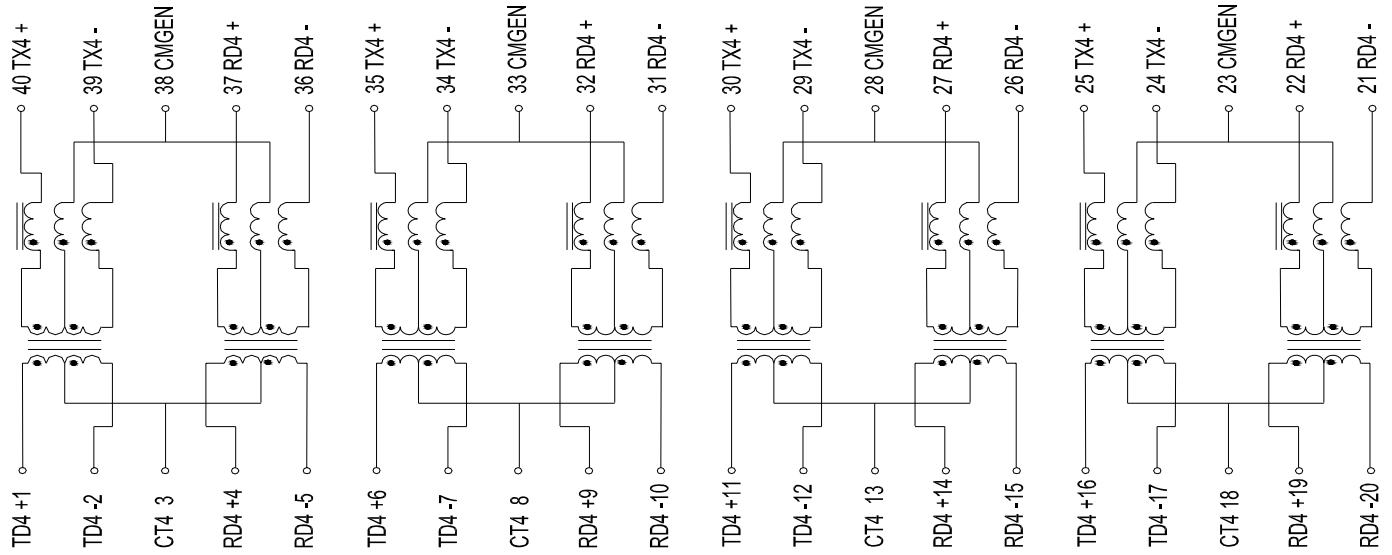
Schematic:HST-4047SAR



Schematic:HST-4095SCR



Schematic:HST-4096SCR



Schematic:HST-4097SCR

