

1000 BASE-T TRANSFORMER

Features:

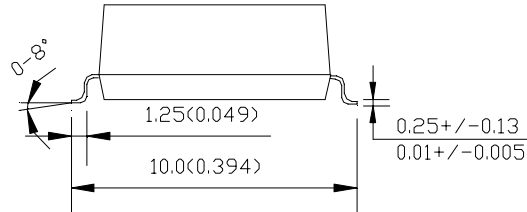
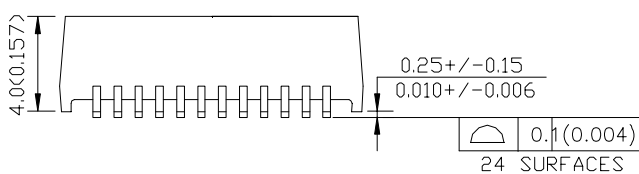
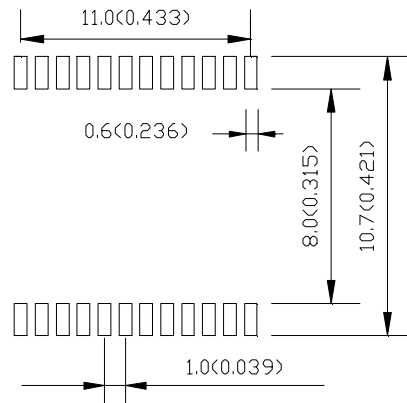
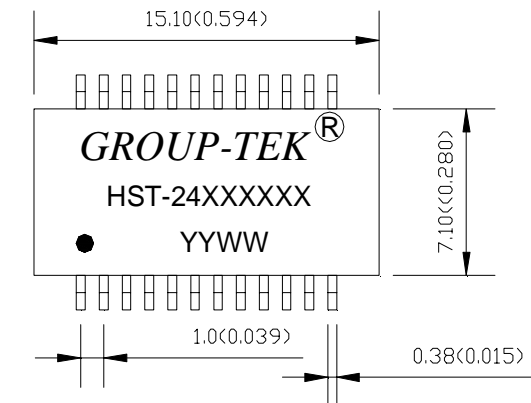


- Designed for long haul gigabit Ethernet 1000BASE -T.full duplex applications
- Primary inductance(Lp)350uH min.@ 100KHz,0.1Vrms,8mA .
- Supports 4 pairs of category 5 UTP cable
- Cable interface for isolation and low common mode emissions
- Compliant with IEEE 802.3 standard for 1000 BASE-T
- Designed for reflow soldering at temperatures up to 260°C .
- Storage Temperature -25°C to +125°C.
- RoHS compliance

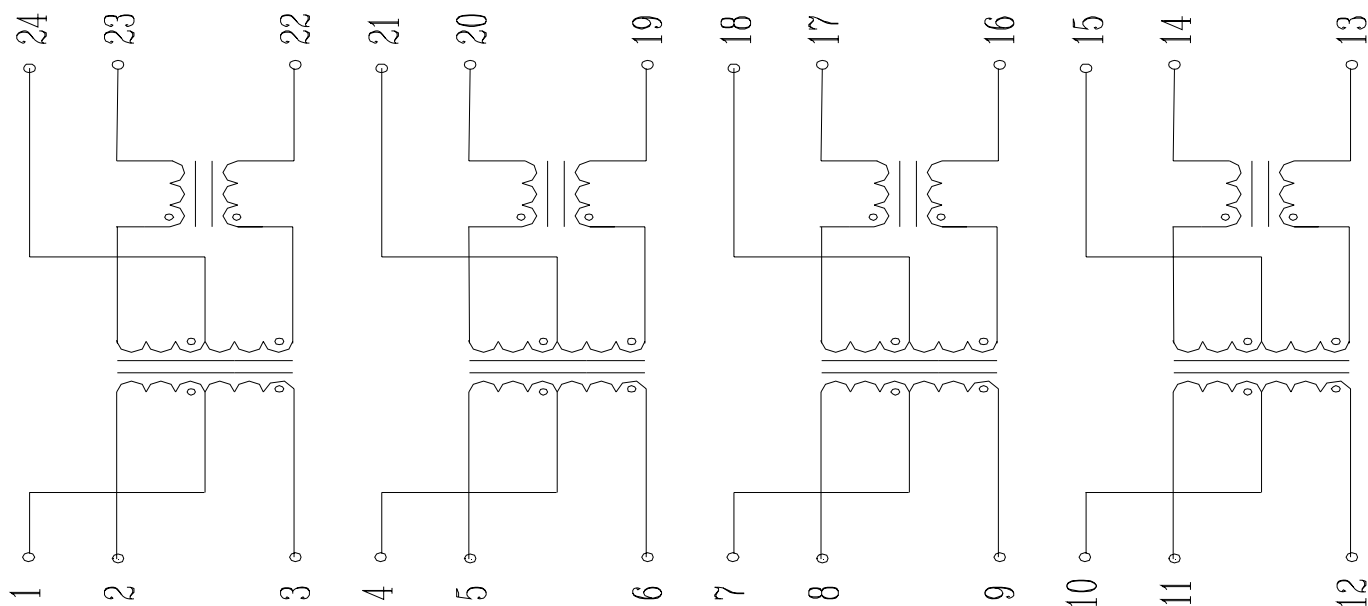
Electrical Specification@25°C

Part NO	Turns Ratio		PoE or Non PoE	Operating Temperature	Insertion loss (dB max)	Return loss (dB typ.) MHz						Differential to Common Mode Rejection (dB typ)			Crosstalk (dB typ)			Hipot (Vrms min)
	TX	RX				1MHz-100MHz	1-30MHz	40M	50M	60-80M	100M	30MHz	60MHz	100MHz	30MHz	60MHz	100MHz	
HST-24015SR	1CT:1CT	1CT:1CT	Non PoE	0°Cto+70°C	-1.0	-18	-14.4	-13.1	-12	-10	-40	-35	-30	-40	-35	-30	1500VAC/1mA/60S	
HST-24092SCR	1CT:1CT	1CT:1CT	Non PoE	0°Cto+70°C	-1.0	-18	-14.4	-13.1	-12	-10	-40	-35	-30	-40	-35	-30	1500VAC/1mA/60S	
HST-24095SCR	1CT:1CT	1CT:1CT	PoE	0°Cto+70°C	-1.0	-18	-14.4	-13.1	-12	-10	-40	-35	-30	-40	-35	-30	1500VAC/1mA/60S	

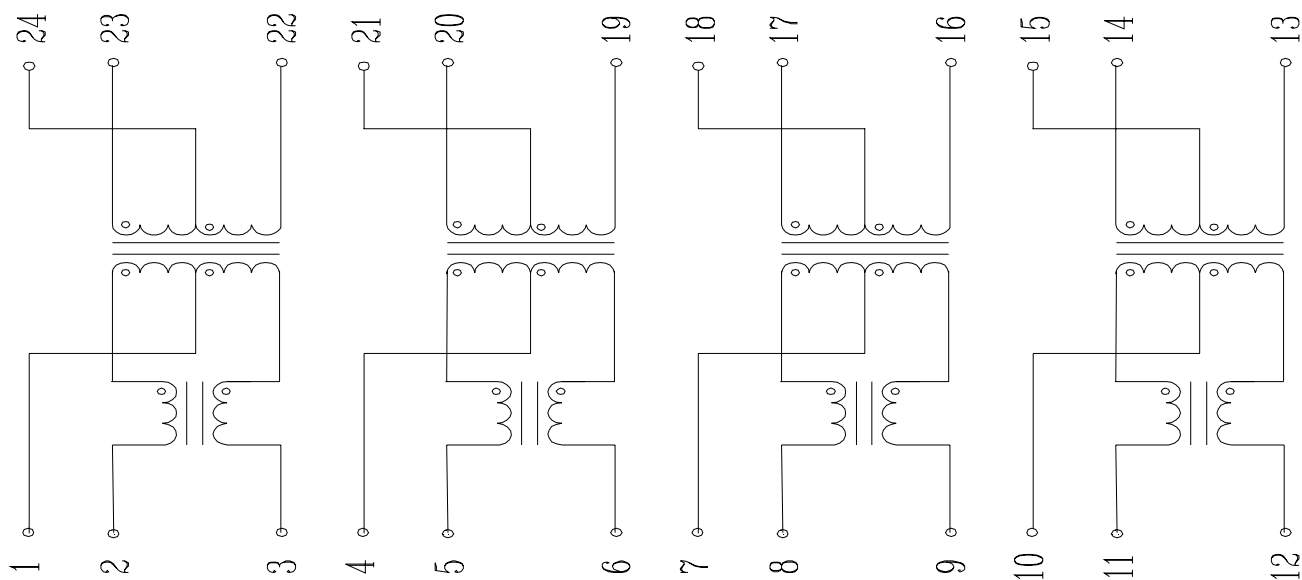
Dimension:mm(inch)Unless otherwise specified , all tolerance are +/-0.25(0.01)



Schematic:HST-24015SR



Schematic:HST-24092SCR



Schematic:HST-24095SCR

