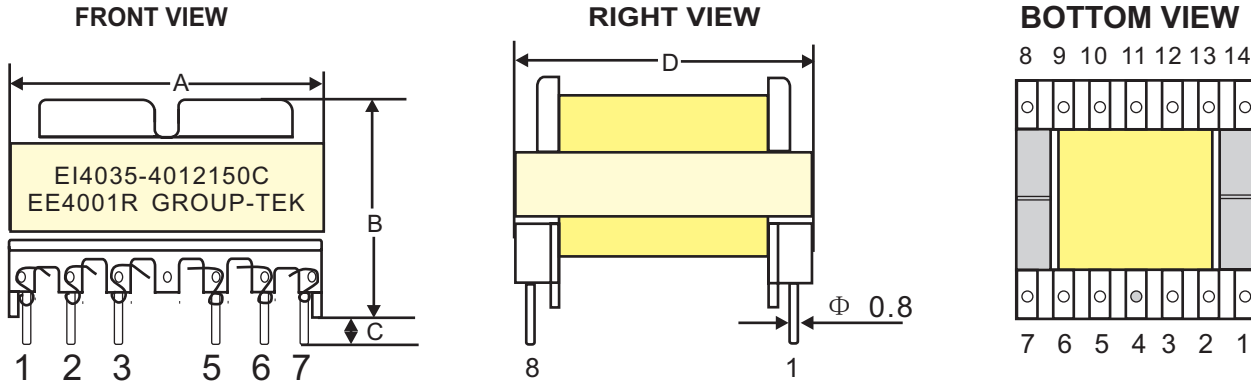
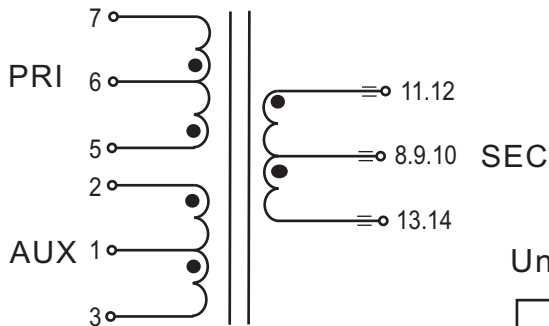


### 1. Mechanical Dimensions:

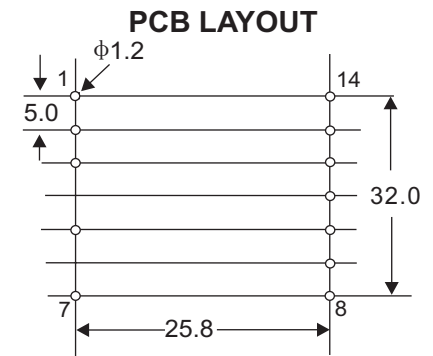


### 2. Schematic:



Unit: mm

A MAX	B MAX	C +/-0.5	D MAX
42.5	29.5	4.0	36.5



### 3. Electrical Characteristics :

Specifications: at 25°C . Operating Temperature -40 to +85°C

NO.	ITEM	TEST CONDITION	SPECIFICATION
1	Inductance	(5-7)@10kHz, 0.3Vac	7.0mH Min
2	Inductance	(11,12-8,9,10)@10kHz, 0.3Vac	150uH Min
3	Inductance	(13,14-8,9,10)@10kHz, 0.3Vac	150uH Min
4	Inductance	(2-3)@10kHz, 0.3Vac	650uH Min
5	Leakage Inductance	(5-7)@10kHz, 0.3Vac shorted other pins	10uH Max.
6	DCR	(5-7) @ 25°C	0.35Ω Max
7	DCR	(11,12-8,9,10) @ 25°C	30mΩ Max
8	DCR	(13,14-8,9,10) @ 25°C	30mΩ Max
9	DCR	(2-3) @ 25°C	0.7Ω Max
10	HI-POT	(6,7-2,3,8,9,10)	1800Vac,5mA,5SEC
11	HI-POT	(Pri,Sec-Core)	1800Vac,5mA,5SEC