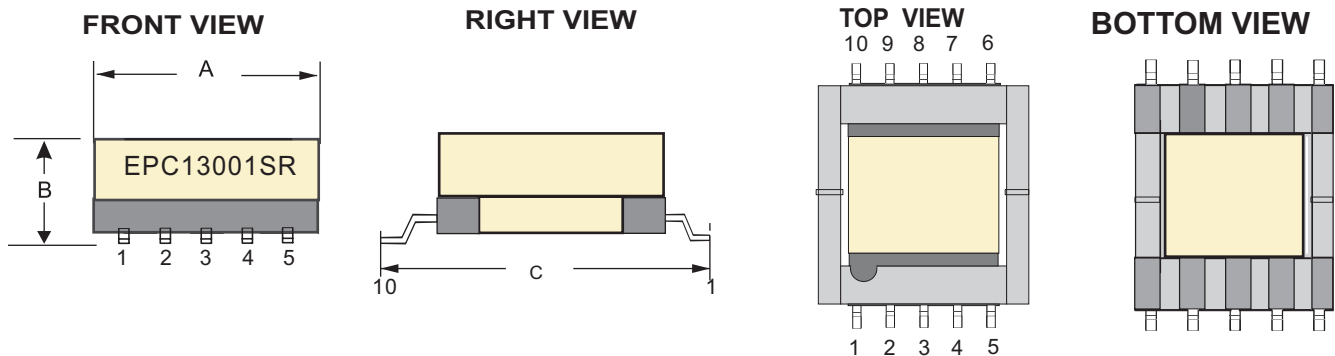
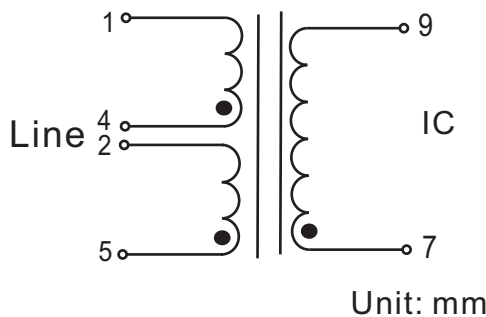


1. Mechanical Dimensions:



2. Schematic:

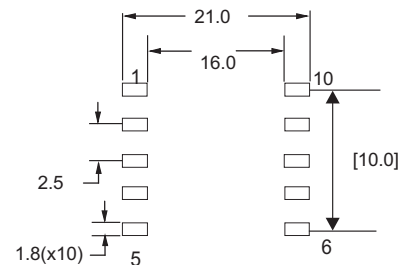


Unit: mm

A MAX	B MAX	C MAX
14.5	8.0	20.5

PCB PAD LAYOUT (TOP)

Unit: mm Tolerances: +/-0.2



3. Electrical Characteristics :

Specifications: at 25°C . Operating Temperature -40 to +85°C

NO.	ITEM	TEST CONDITION	SPECIFICATION
1	Inductance	(5-1) tied(2-4)@10kHz, 0.1V	3.019mH±6%
2	Leakage Inductance	(5-1)@100kHz, 0.1Vac tied(2+4,9+7)	35uH Max.
3	DCR	(5-1) tied (2+4) @ 25°C	4.2 Ω Typ
4	DCR	(7-9) @ 25°C	0.7Ω Typ
5	HI-POT	PRI-SEC	2000Vac, 1mA, 2SEC
6	TURNO RATIO	(5-2):(4-1):(7-9) @1KHZ, 0.1Vac	2.25:2.25:1±2%
7	THD	5KHz, 1V	-86dB Typ.