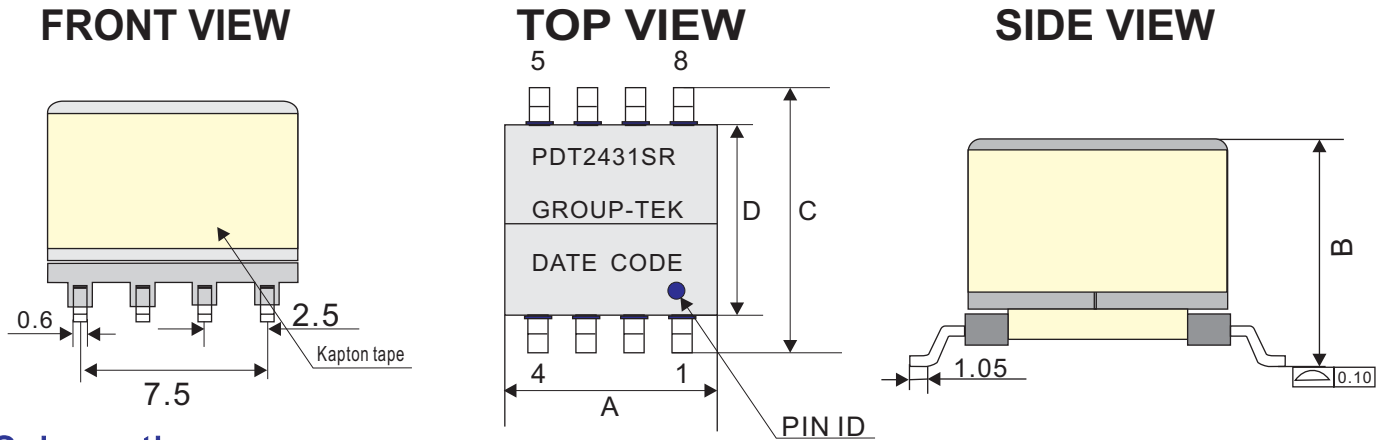
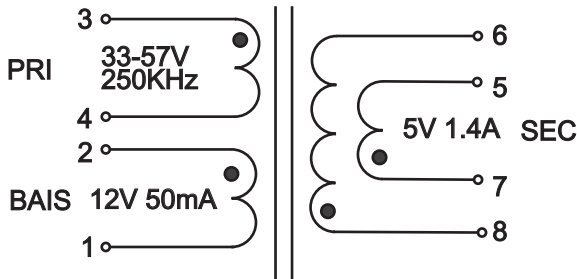


1. Mechanical Dimensions:



2. Schematic:

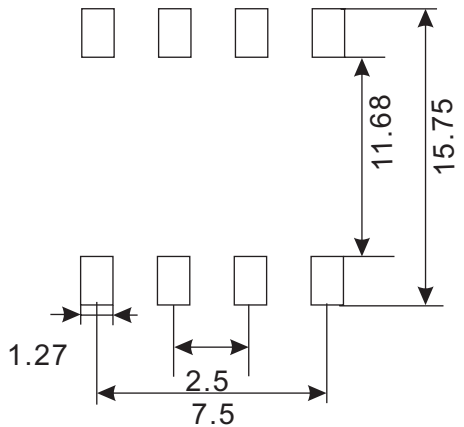


Unit: mm

A MAX	B MAX	C MAX	D TYP
12.7	11.43	15.24	10.60

SUGGESTED PAD LAYOUT

Unit: mm Tolerances: +/-0.2



3. Electrical Characteristics :

Specifications Test: at 25 °C. Operating Temperature: -40 to +105°C

NO.	ITEM	TEST CONDITION	SPECIFICATION
1	Inductance	(3-4)@200kHz, 0.1v	155uH+/-10%.
2	Inductance	(2-1)@200kHz, 0.1v	30uH+/-15%.
3	Inductance	(7-5)//(8-6)@200kHz, 0.1v	5.3uH+/-15%.
4	Leakage Inductance	(3-4) with shorted other@200kHz, 0.1v	3.6uH MAX.
5	DCR	(3-4) @ 25°C	0.414 Ω Max.
6		(7+8)-(5+6) @ 25°C	0.06Ω Max.
7		(2-1) @ 25°C	0.822Ω Max.
8	HI-POT	PRI TO SEC	1500Vac 1mA 3Sec.
9	T/R	(3-4):(9+10-7+8):(2-1)	33:6:14±2%.