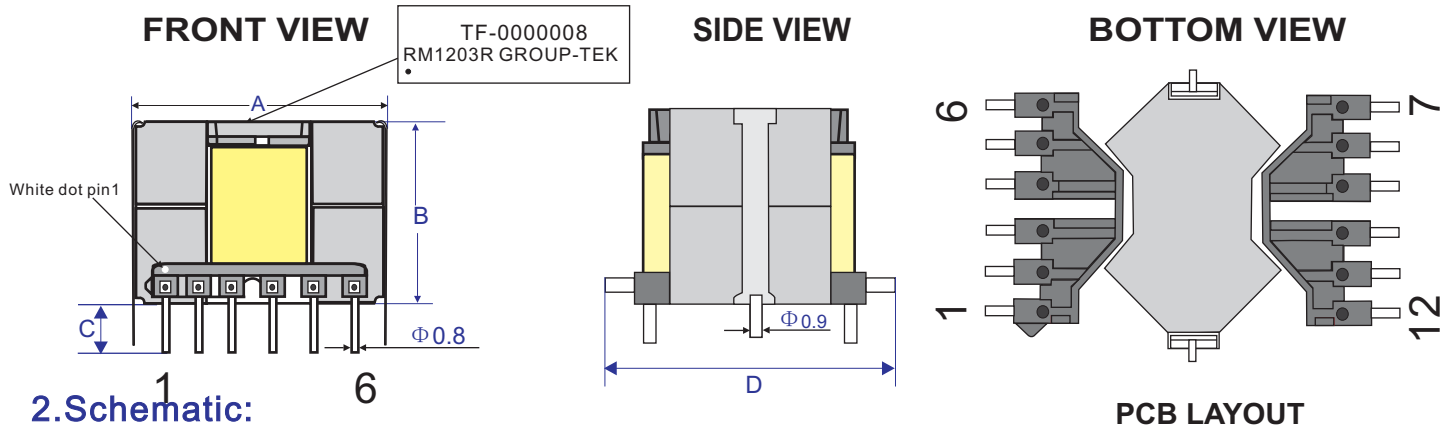
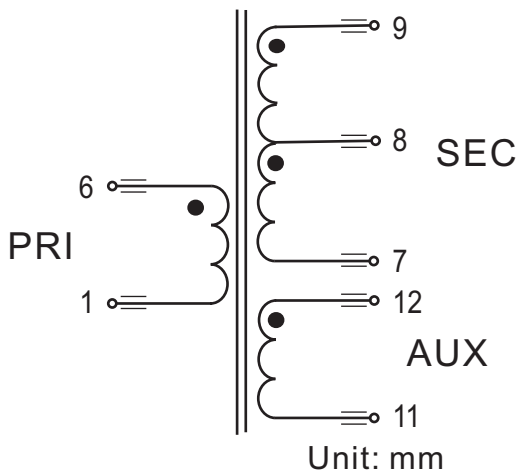


### 1. Mechanical Dimensions:



### 2. Schematic:



A	B	C	D
MAX	MAX	±0.5	MAX
43.5	35.0	3.5	48.5

### 3. Electrical Characteristics :

Specifications: at 25°C . Operating Temperature -40 to +85°C

NO.	ITEM	TEST CONDITION	SPECIFICATION
1	Inductance	(6-1)@10kHz, 0.3Vac	2.4mH±10%
2	Leakage Inductance	(6-1)@100kHz, 0.3Vac shorted other pins.	75uH Max.
3	DCR	(6-1) @ 25°C	1.5Ω Max
4	DCR	(8-7) @ 25°C	36mΩ Max
5	DCR	(9-8) @ 25°C	25 mΩ Max
6	DCR	(12-11) @ 25°C	50mΩ Max
7	HI-POT	(PRI-SEC)	1800Vac, 1mA, 2SEC
8	HI-POT	(PRI, SEC-CORE)	1000Vac, 1mA, 2SEC