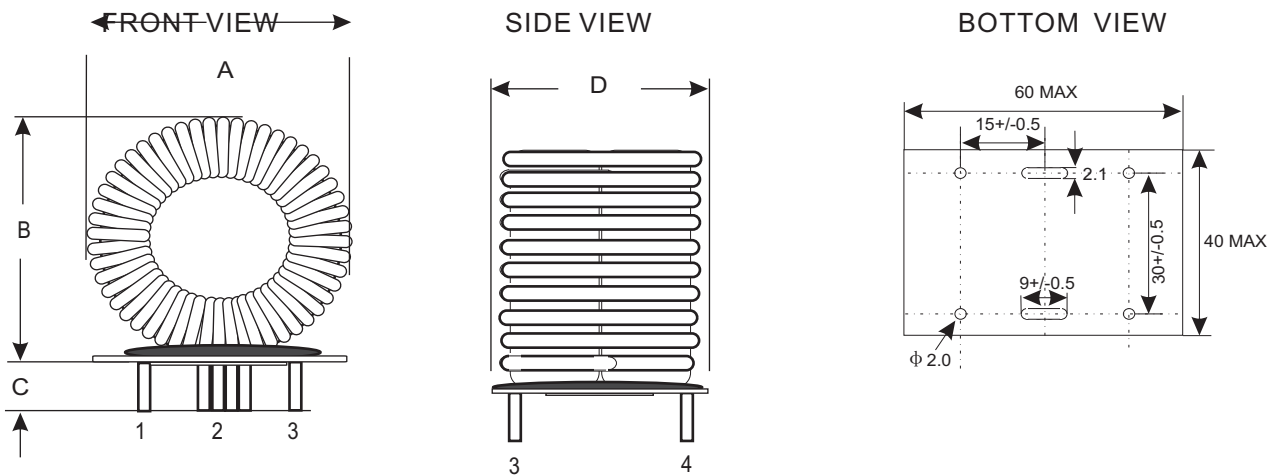


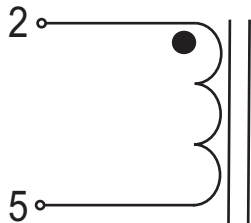
1. Mechanical Dimensions:



Unit: mm

| A MAX | B MAX | C +/-0.5 | D MAX |
|----------|----------|-------------|----------|
| 62 | 65 | 3.6 | 42 |

2.Schematic:



3.Electrical Characteristics :

Specifications: at 25 degree C. Operating Temperature -40 to +85°C

| NO. | ITEM | TEST CONDITION | SPECIFICATION |
|-----|------------|--------------------|---------------|
| 1 | Inductance | (2-5)@1kHz, 0.3Vac | 60uH+/-10% |
| 2 | DCR | (2-5) @ 25°C | 4.0 mΩ Max |