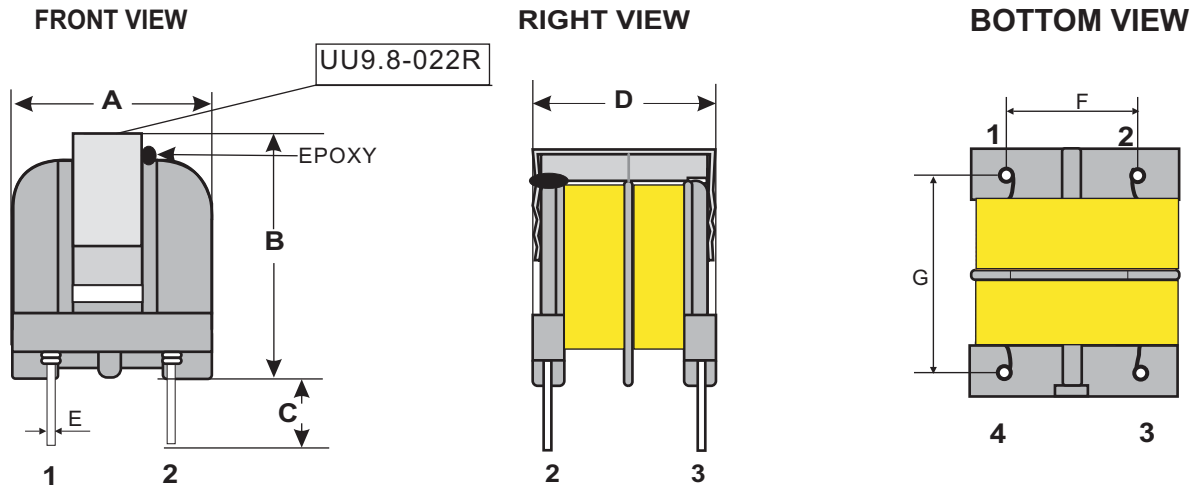
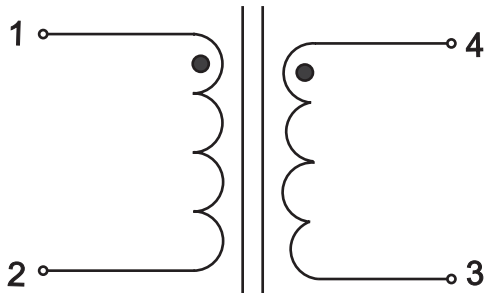


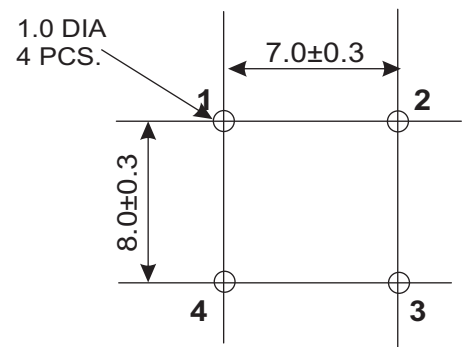
1. Mechanical Dimensions:



2. Schematic:



PCB PAD LAYOUT



Unit: mm

A MAX.	B MAX.	C +/-0.5	D MAX	E +/-0.1	F +/-0.2	G +/-0.2
12.0	17.0	3.5	17.0	Φ0.6	7.0	8.0

3. Electrical Characteristics :

Specifications: at 25 degree C. Operating Temperature -40 to +85°C			
NO.	ITEM	TEST CONDITION	SPECIFICATION
1	Inductance	(1-2)(4-3) @1KHz, 0.3V	6.0mH Min.
2	DCR	(1-2)(4-3) @25°C	195mΩ Max.
3	ΔL	L(1-2)-L(4-3) @1KHz, 0.3V	≤ 1%
4	HI-POT	(1,2-3,4)	1500Vac 1mA 1Sec.
5	IDC		1.0A MAX.