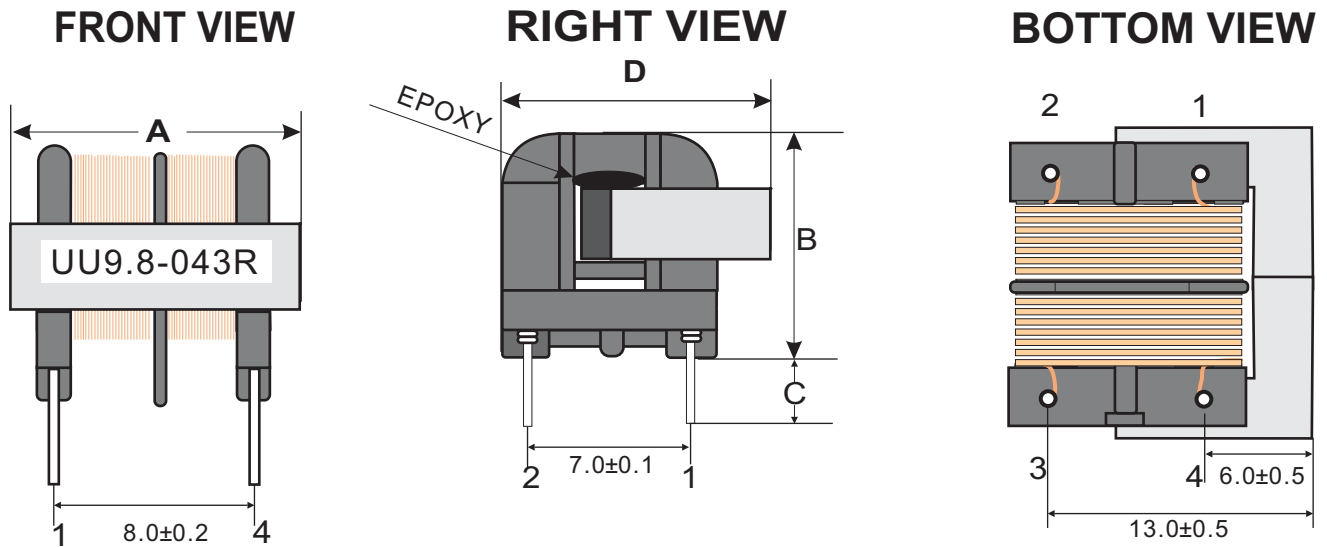
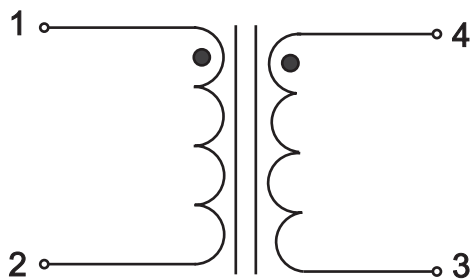


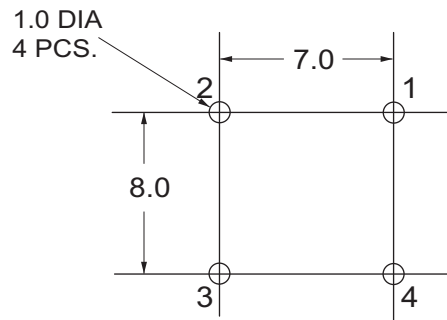
1. Mechanical Dimensions:



2. Schematic:



PCB PAD LAYOUT



Unit: mm

A MAX	B MAX	C +/- .5	D MAX
17.5	12.5	4.0	15.5

3. Electrical Characteristics :

Specifications: at 25 degree C. Operating Temperature -40 to +85°C

NO.	ITEM	TEST CONDITION	SPECIFICATION
1	Inductance	(1-2)(4-3) @1KHz, 0.25V	20mH Min
2	DCR	(1-2)(4-3) @25°C	2.5 Ω Max.
3	IDC		500mA MAX.
4	ΔL	L(1-2)-L(4-3) @1KHz, 1V	≤ 1%
5	HI-POT	(1,2-3,4)	1500Vac 1mA 1Sec.