

T1/CEPT(E1)/ISDN-PRI QUAD PORTS TRANSFORMER



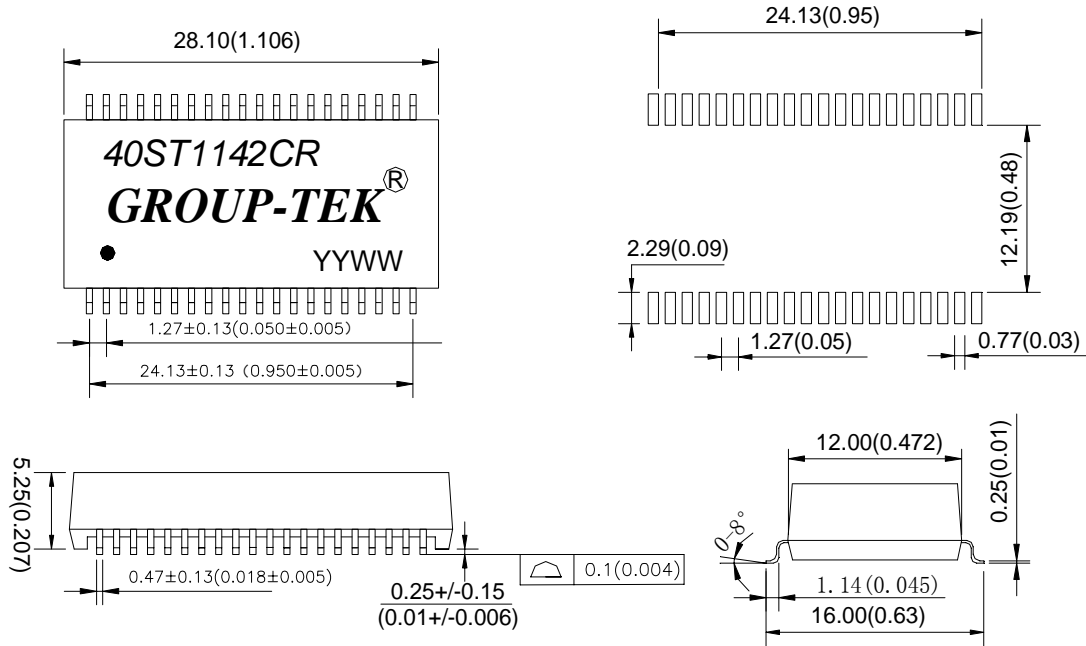
Features:

- Eight transformers supports four transmit and four receive channels
- Designed for reflow soldering at temperatures up to 260°C max.
- Crosstalk:-65dB min.
- RoHS compliance

Electrical Specification @25°C. Operating Temperature 0 to +70°C

Part No	Turns Ratio (pri:Sec ± 2%) 10KHz 0.1V		OCL (mH min) 10KHz 0.1V		L _L (uH max) 100KHz 0.1V		C _{ww} (pF max) 100KHz 0.1V		Primary Pins		Hipot (Vrms min)
	Transmit	Receive	Trans	REC	Trans	REC	Trans	REC	Transmit	Receive	
40ST1142CR	1:2.4	1:1	1.0	1.0	0.5	0.5	35	35	1-2,8-9,11-12,18-19	25-24,28-27,35-34,38-37	1500VAC/1mA/60S

Dimension:mm(inch)Unless otherwise specified , all tolerance are +/-0.25(0.01)



Schematic:

