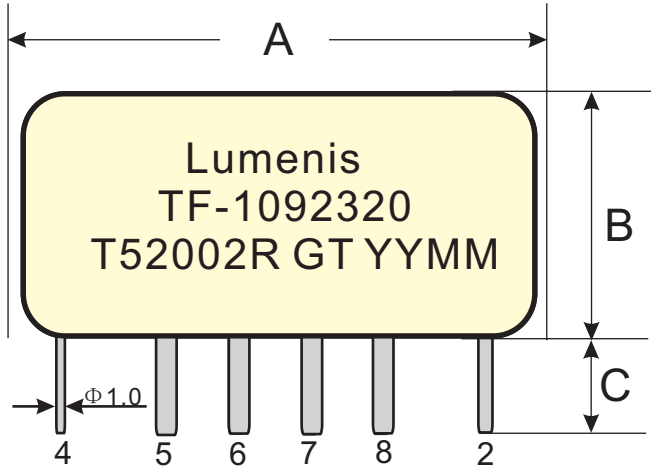
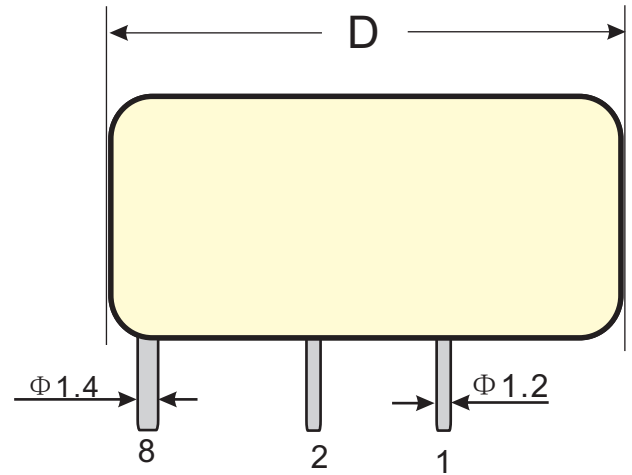


1. Mechanical Dimensions:

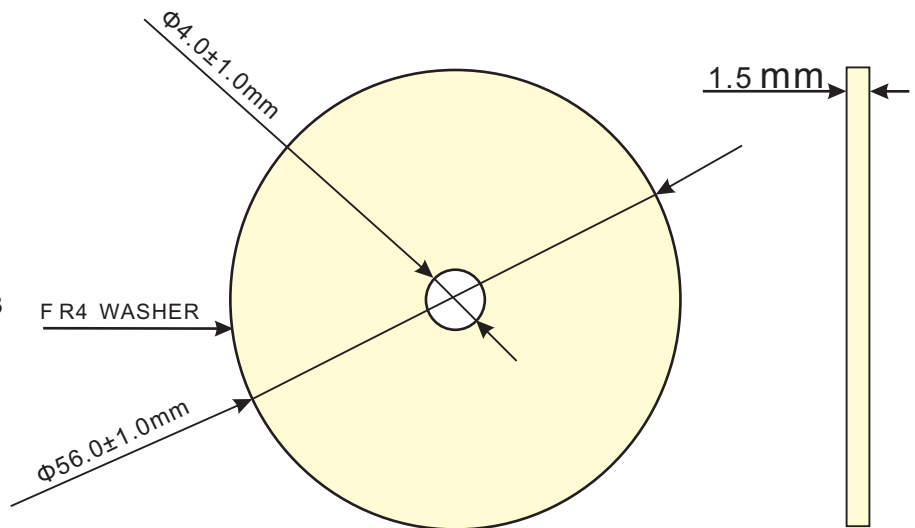
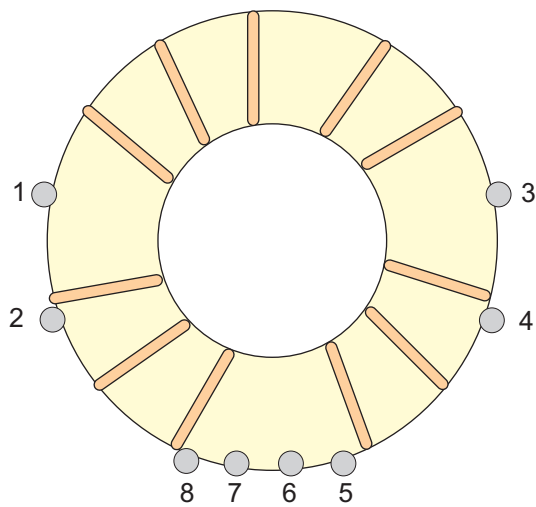
FRONT VIEW



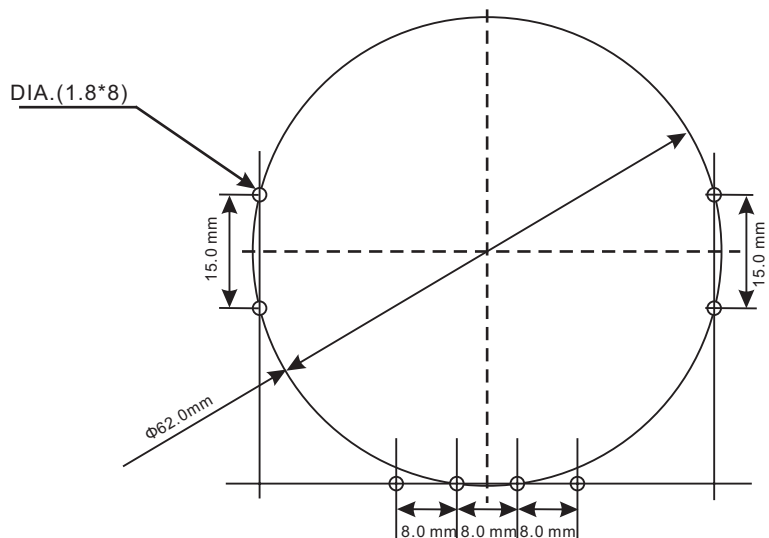
SIDE VIEW



BOTTOM VIEW



PCB LAYOUT



Unit: mm

A MAX.	B MAX.	C +/-2	D Max
65.0	45.5	15.0	65.0

2. Electrical Characteristics :

Specifications: at 25 degree C. Operating Temperature -40 to +85°C			
NO.	ITEM	TEST CONDITION	SPECIFICATION
1	Inductance	(1-2) @10KHz,0.3V	20mH MIN.
2	Leakage Inductance	(1-2)@10kHz, 0.3V Short other Pins.	7.5uH Max.
3	DCR	(1-2) @25°C	45 mΩ Max.
4	DCR	(3-4) @25°C	165 mΩ Max.
5	DCR	(5-6) @25°C	12.5 mΩ Max.
6	DCR	(7-8) @25°C	12.5 mΩ Max.
7	HI-POT	1-3,5,6	2500Vac,1mA,2SEC
8	HI-POT	3-5,6	2500Vac,1mA,2SEC
9	T/R	1-2:3-4:5-6:7-8	5.14:10.7:1:1±2%

3. Schematic:

