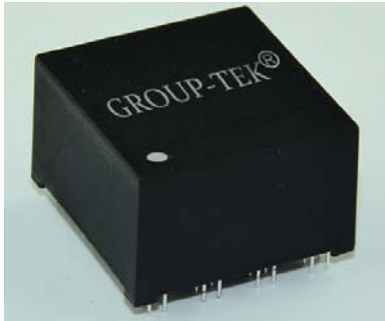


10/100/1000BASE-T QUAD MAGNETICS MODULES for PoE+

Features:



- Designed for long haul Gigabit Ethernet 100/1000Base-T, full Quad channels applications.
- Supports PoE+ and Auto MDIX in 16 pairs of category 5 UTP cable
- Cable interface for isolation and low common mode emissions
- Compliant with IEEE 802.3at standard for 1000Base-T
- RoHS complacence.
- Patented product.

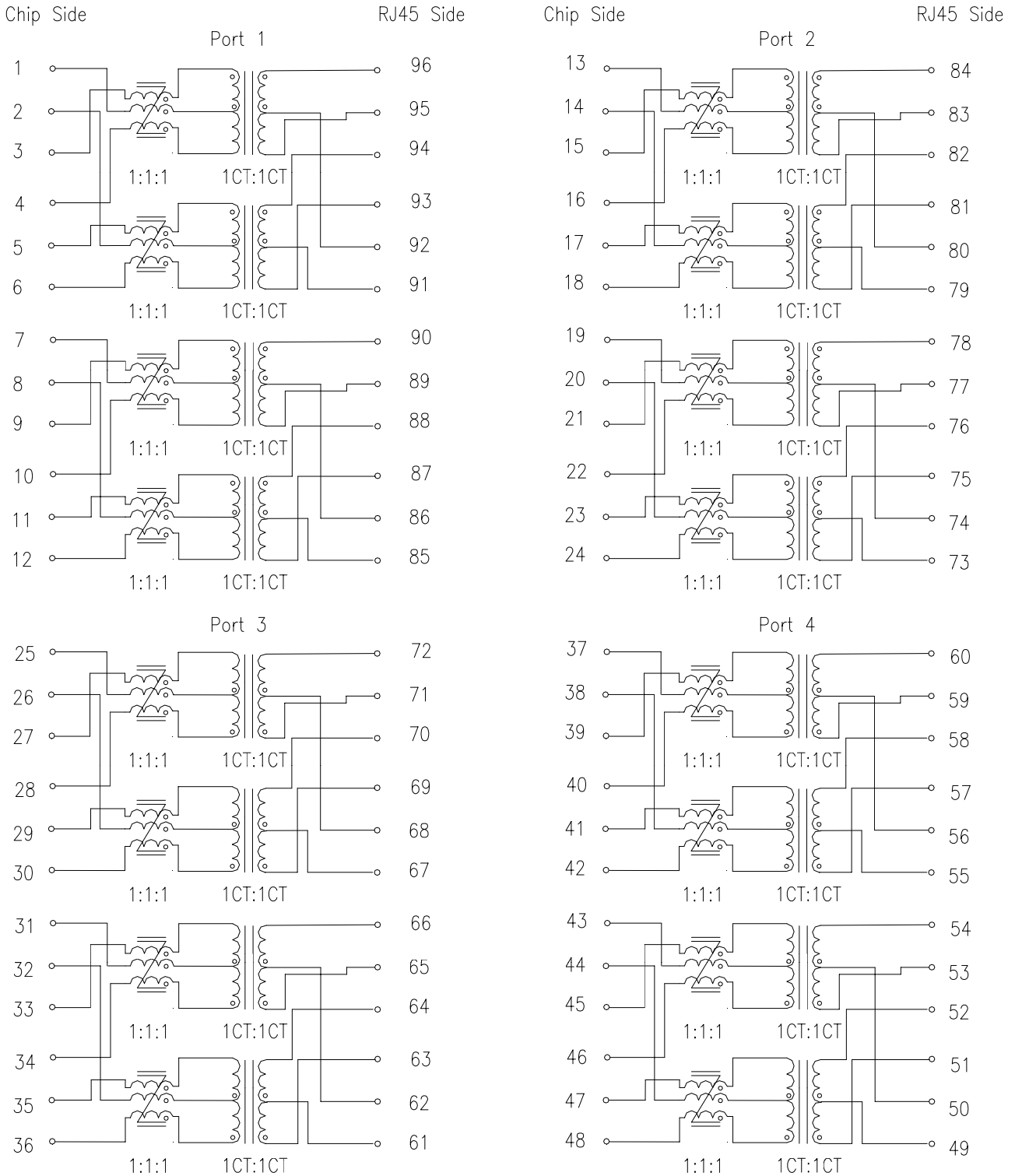
| P/N | HST-96206DR | | | | |
|--|---|-------|-------------|--------|------------|
| Parameter | Specifications at 25°C. Operating Temperature 0°C to 70°C | | | | |
| Insertion Loss | 1-30MHz | | 100MHz | | 125MHz |
| | -1.0 dB MAX | | -1.4 dB MAX | | -3.0dB MAX |
| Return Loss | 1MHz | 30MHz | 60MHz | 80MHz | 100MHz |
| | -20dB | -18dB | -14.4dB | -12dB | -10dB |
| Inductance (OCL) (Cable Side, 0°C-70°C) | 350 uH MIN (Measured at 100kHz, 100mVRMS and with 24 mA DC BIAS) | | | | |
| Crosstalk | 1MHz | 30MHz | 60MHz | 100MHz | |
| | -50dB | -40dB | -35dB | -30dB | |
| DCMR | 30MHz | | 80MHz | | 100MHz |
| | -40dB MIN | | -35dB MIN | | -30dB MIN |
| DCR (1/2 Winding) | 0.65 OHMS MAX | | | | |
| DCR Imbalance | ±0.065 OHMS MAX | | | | |
| DC Current/Voltage Rating - PSE PINS | 840 mA MAX @ 57 V (Continuous) | | | | |
| Input - Output Isolation | 1500VAC, 50Hz, @ 60 Seconds | | | | |

10/100/1000BASE-T QUAD MAGNETICS MODULES for PoE+

P/N

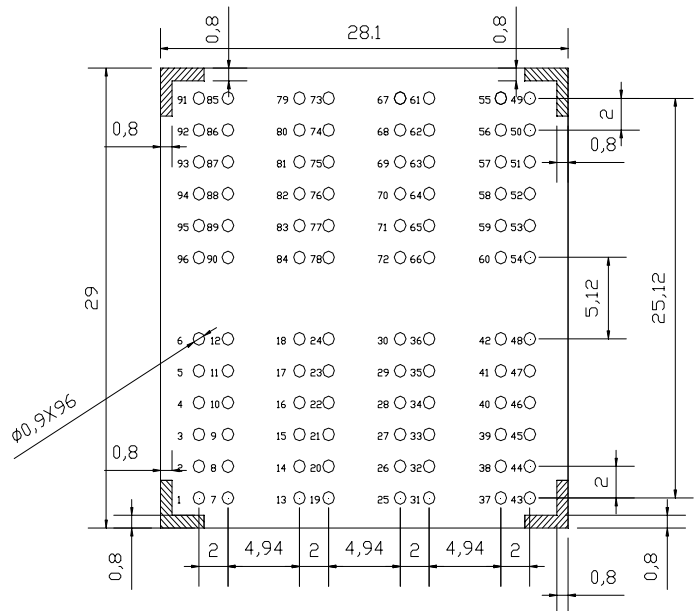
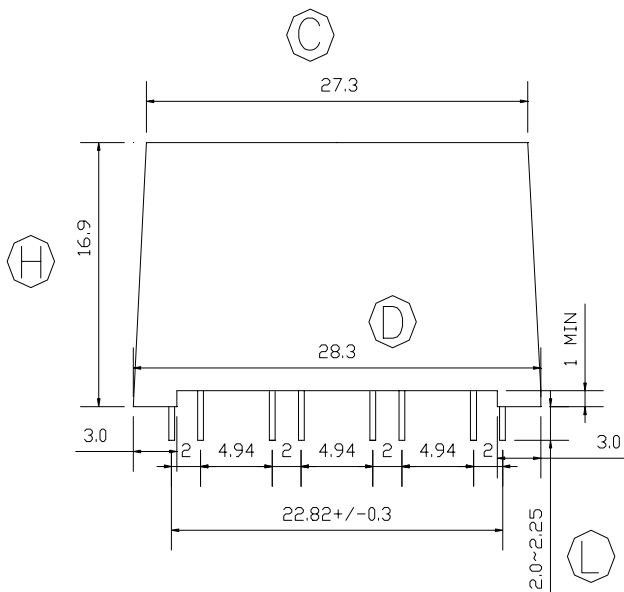
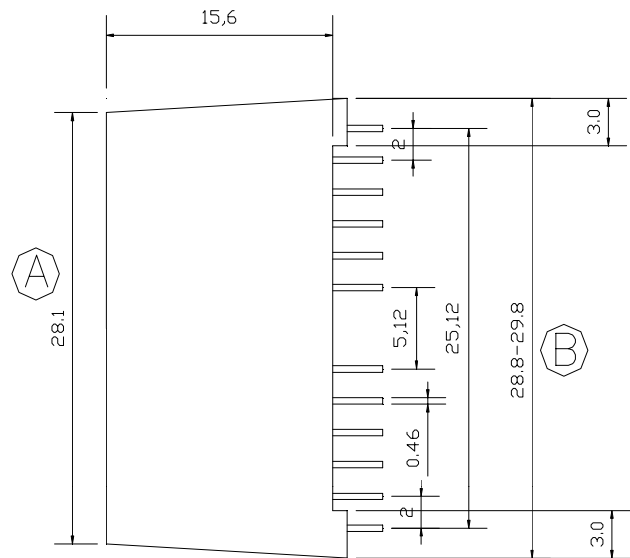
HST-96206DR

Schematic



HST-96206DR

Dimension:mm(inch)Unless otherwise specified , all tolerance are +/-0.25(0.01)



NO COMPONENT AREA.
Suggested Customer PCB Layout
(Component Side)