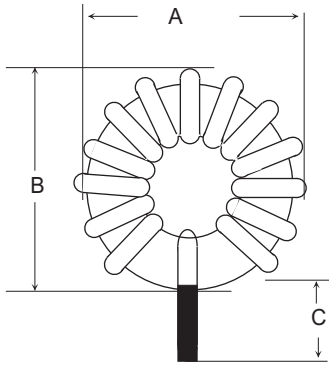
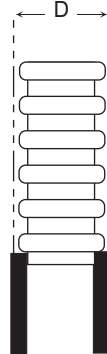


1. Mechanical Dimensions:

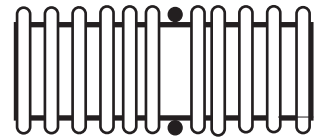
FRONT VIEW



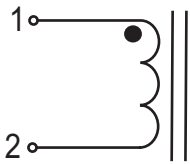
RIGHT VIEW



BOTTOM VIEW



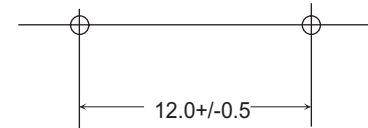
2. SCHEMATIC:



PCB LAYOUT

Unit: mm Tolerances: +/-0.2

1.8 TYP.



Unit: mm

A MAX	B MAX	C +/-0.5	D MAX
34.0	33.0	8.0	15.5

3. Electrical Characteristics :

Specifications: at 25°C . Operating Temperature -40 to +85°C

NO.	ITEM	TEST CONDITION	SPECIFICATION
1	Inductance	(1-2)@1KHz, 0.25Vac	50uH+/-20%
2	DCR	(1-2) @ 25°C	16m Ω Max