

1000BASE-TX MAGNETICS MODULES



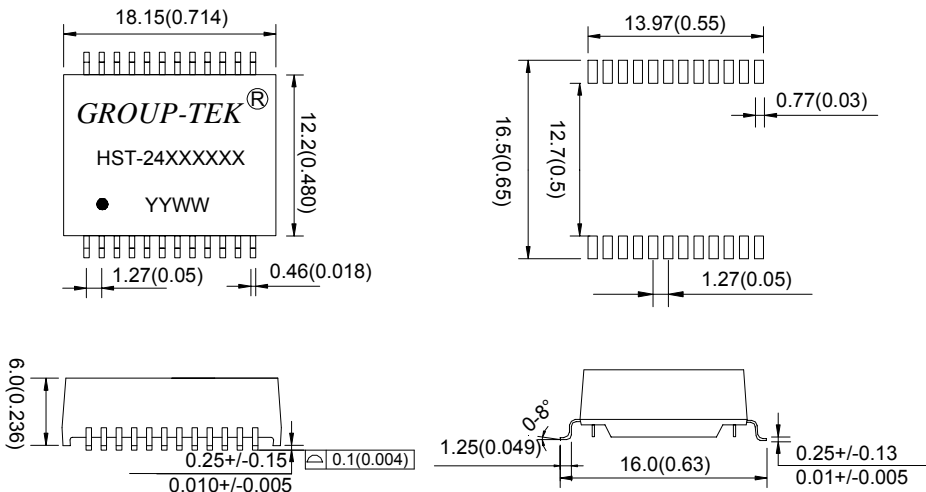
Features:

- Compliant with IEEE 802.3 standard for 1000Base-T.
- Primary inductance(Lp)350uH min.@ 100KHz,0.1Vrms,8mA .
- LL:0.35uH Max @100KHz, 0.1V
- Cww:35pF Max@100KHz, 0.1V
- Primary DCR:0.9ΩMax;Secondary DCR:1.2ΩMax.
- Designed for reflow soldering at temperatures up to 260°C .
- Storage temperature -25°C to +125°C.
- RoHS compliance.

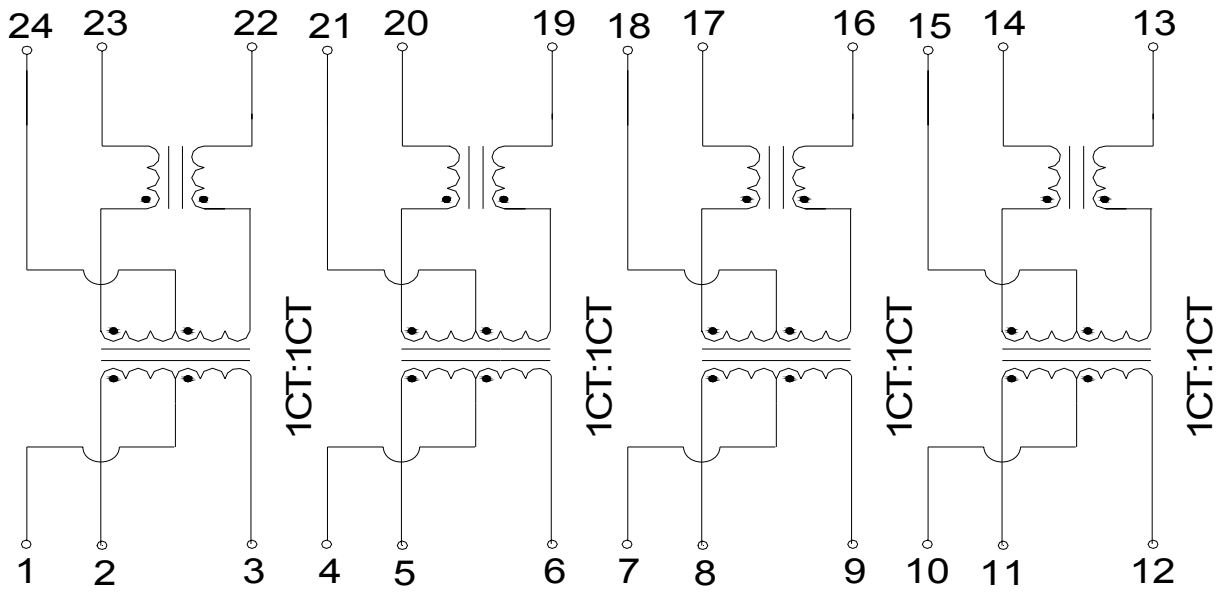
Electrical Specification@25°C

Part NO	Turn Ratio TX &RX. (±5%)	PoE or Non PoE	Operating Temperature	Insertion Loss (dB MAX)	Return Loss (dB MIN @ 100Ω)						Differential to Common Mode Rejection (dB MIN)			Crosstalk (dB MIN)			Hipot (Vrms MIN)
					1-100 MHz	1-30MHz	40MHz	50MHz	60-80MHz	100MHz	30MHz	60MHz	100MHz	30MHz	60MHz	100MHz	
HST-24001SCR	1CT:1CT&1CT:1CT	PoE	0 °Cto +70°C	-1.1	-18	-14.4	-13.1	-12	-10	-40	-35	-30	-40	-35	-30	1500VAC/1mA/60S	
HST-24001SXR	1CT:1CT&1CT:1CT	PoE	-40 °Cto +85°C	-1.1	-18	-14.4	-13.1	-12	-10	-40	-35	-30	-40	-35	-30	1500VAC/1mA/60S	
HST-24001SAR	1CT:1CT&1CT:1CT	Non PoE	0 °Cto +70°C	-1.1	-18	-14.4	-13.1	-12	-10	-40	-35	-30	-40	-35	-30	1500VAC/1mA/60S	
HST-24001SXR	1CT:1CT&1CT:1CT	Non PoE	-40 °Cto +85°C	-1.1	-18	-14.4	-13.1	-12	-10	-40	-35	-30	-40	-35	-30	1500VAC/1mA/60S	
HST-24002SAR	1CT:1CT&1CT:1CT	Non PoE	0 °Cto +70°C	-1.1	-18	-14.4	-13.1	-12	-10	-40	-35	-30	-40	-35	-30	1500VAC/1mA/60S	
HST-24002SXR	1CT:1CT&1CT:1CT	Non PoE	-40 °Cto +85°C	-1.1	-18	-14.4	-13.1	-12	-10	-40	-35	-30	-40	-35	-30	1500VAC/1mA/60S	
HST-24020SR	1CT:1CT&1CT:1CT	PoE	0 °Cto +70°C	-1.1	-18	-14.4	-13.1	-12	-10	-35	-30	-25	-35	-30	-25	1500VAC/1mA/60S	
HST-24020SXR	1CT:1CT&1CT:1CT	PoE	-40 °Cto +85°C	-1.1	-18	-14.4	-13.1	-12	-10	-35	-30	-25	-35	-30	-25	1500VAC/1mA/60S	
HST-24030SCR	1CT:1CT&1CT:1CT	PoE	0 °Cto +70°C	-1.1	-18	-14.4	-13.1	-12	-10	-35	-30	-25	-35	-30	-25	1500VAC/1mA/60S	
HST-24030SXR	1CT:1CT&1CT:1CT	PoE	-40 °Cto +85°C	-1.1	-18	-14.4	-13.1	-12	-10	-35	-30	-25	-35	-30	-25	1500VAC/1mA/60S	
HST-24041SCR	1CT:1CT&1CT:1CT	PoE	0 °Cto +70°C	-1.1	-18	-14.4	-13.1	-12	-10	-40	-35	-30	-40	-35	-30	1500VAC/1mA/60S	
HST-24077SCR	1CT:1CT&1CT:1CT	PoE	0 °Cto +70°C	-1.1	-18	-14.4	-13.1	-12	-10	-40	-35	-30	-40	-35	-30	1500VAC/1mA/60S	
HST-24077SXR	1CT:1CT&1CT:1CT	PoE	-40 °Cto +85°C	-1.1	-18	-14.4	-13.1	-12	-10	-40	-35	-30	-40	-35	-30	1500VAC/1mA/60S	

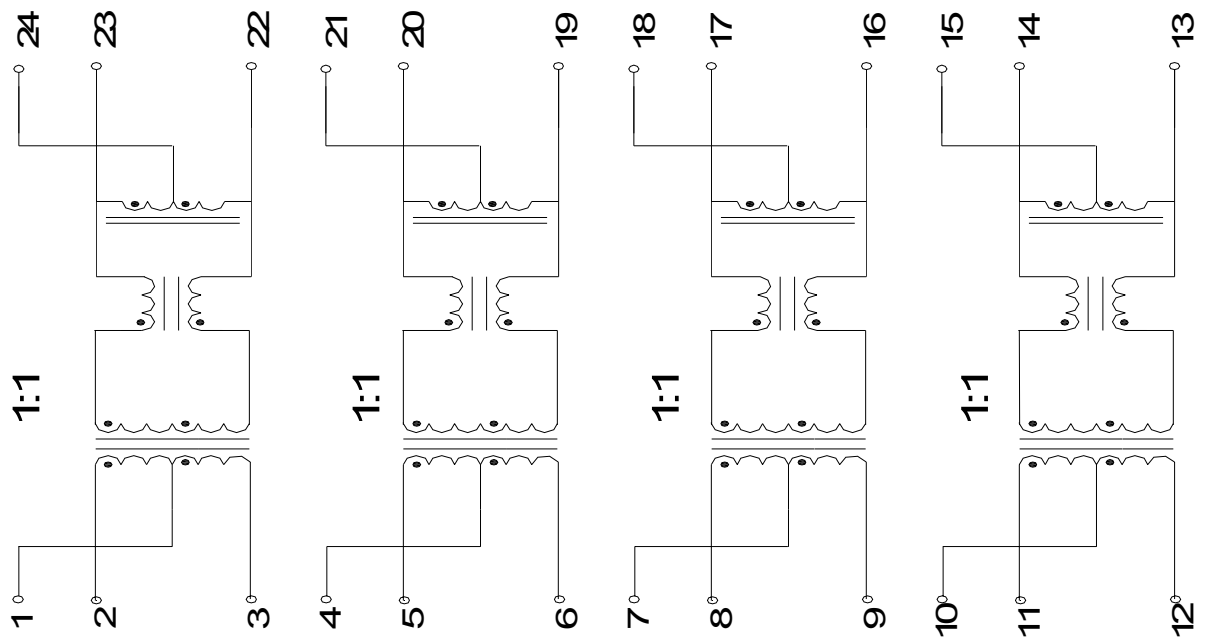
Dimension:mm(inch)Unless otherwise specified , all tolerance are +/-0.25(0.01)



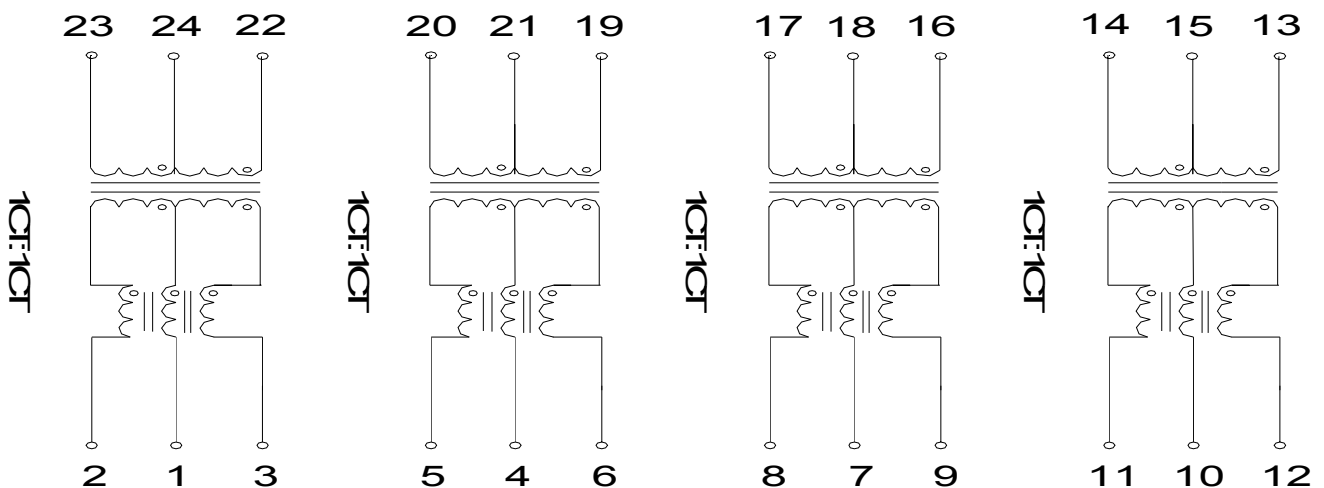
Schematic:HST-24001SCR/HST-24001SXCR/HST-24001SAR/HST-24001SXAR



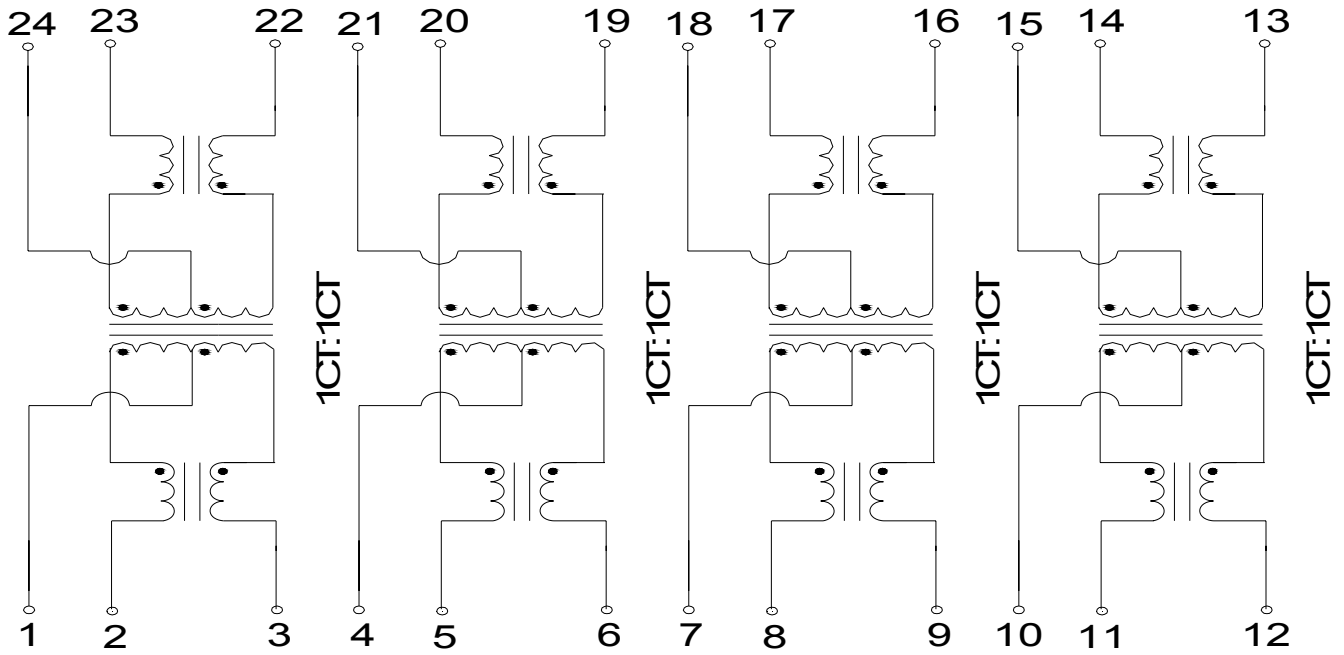
Schematic:HST-24002SAR/HST-24002SXAR



Schematic:HST-24020SR/HST-24020SXRHST-24030SCR/HST-24030SXR



Schematic:HST-24041SCR



Schematic:HST-24077SCR/HST-24077SXCR

