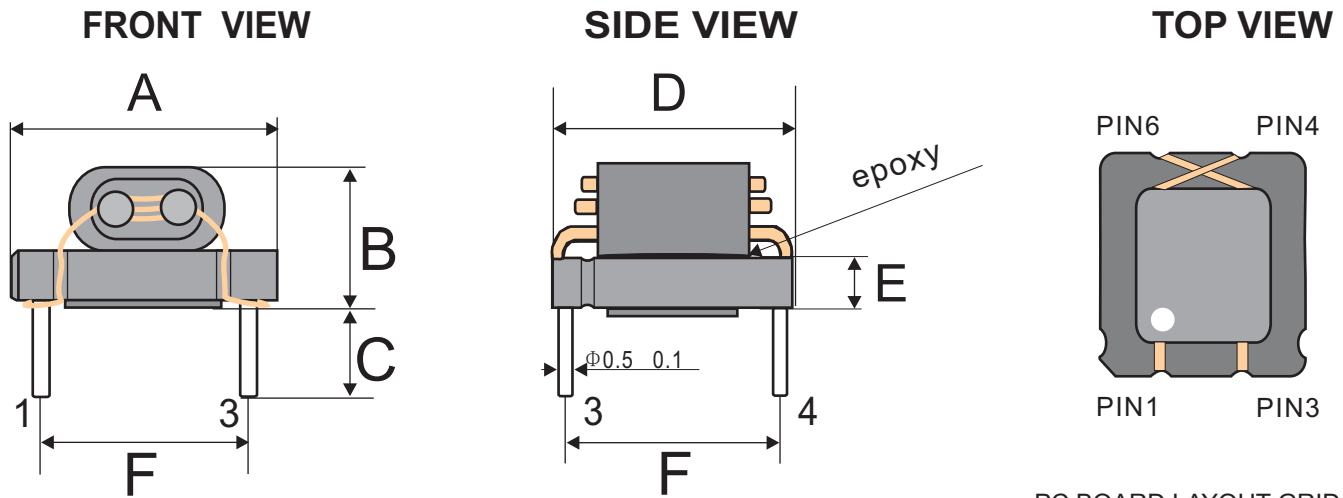
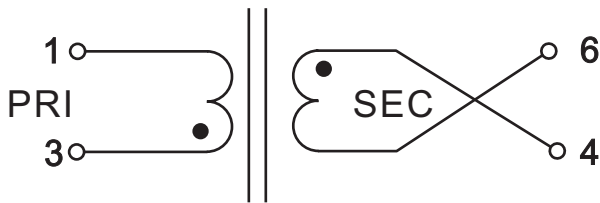


1. Mechanical Dimensions:



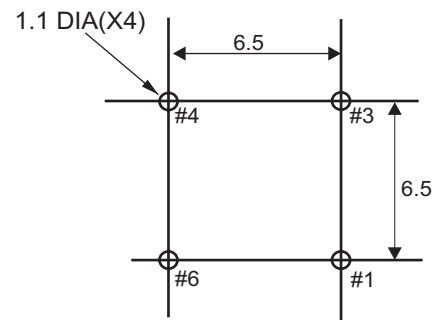
2. Schematic:



Unit: mm

A	B	C	D	E	F
±0.2	MAX	±0.5	±0.2	MIN	±0.2
8.3	8.0	3.5	8.3	2.5	6.5

PC BOARD LAYOUT GRID
Unit: mm Tolerances: ±0.2



3. Electrical Characteristics :

Specifications Test: at 25 °C. Operating Temperature -40 to +85°C

NO.	ITEM	TEST CONDITION	SPECIFICATION
1	Inductance	(1-3)@ 2MHz, 0.1V	40uH±35%
2	Inductance	(6-4)@ 2MHz, 0.1V	40uH±35%
3	DCR	(1-3) @25°C	60 mΩ Max
4	DCR	(6-4) @25°C	60 mΩ Max
5	T/R	(1-3):(6-4)	1:1 ±5%
6	HI-POT	1 TO 6	600Vac 1mA,60Sec
7	Inserion loss	2-68MHz	3dB Max

* Frequency range: 2-68MHz.