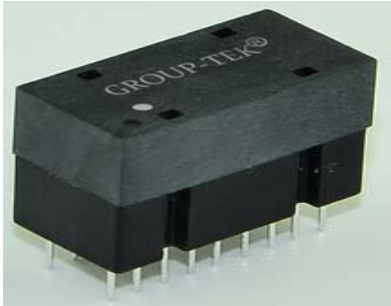


1000BASE-T MAGNETICS MODULES



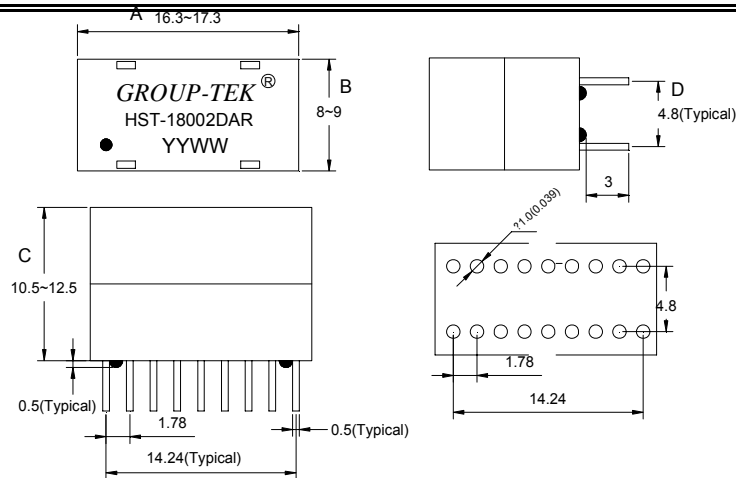
Features:

- Designed to meet IEEE 802.3 requirements.
- Primary inductance(Lp)350uH min.@ 100KHz,0.1Vrms,8mA .
- LL:0.6uH Max @100KHz, 0.1V
- Cww:120pF Max@100KHz, 0.1V
- DCR:1.4ΩMax
- Storage Temperature -25°C to +125°C.
- RoHS compliance

Electrical Specification @25°C Operating Temperature 0 to +70°C

Part NO	Insertion loss (dB max) 1-100MHz	Return loss (dB MIN @ 100Ω.) MHz					Differential to Common Mode Rejection (dB MIN) MHz			Crosstalk (dB MIN) MHz			Hipot (Vrms MIN)
		1-30	40	50	60-80	100	30	60	100	30	60	100	
HST-18002DAR	-1	-18	-14.4	-13.1	-12	-10	-43	-37	-33	-45	-40	-35	1500VAC/1A/60S

Dimension:mm(inch),Unless otherwise specified , all tolerance are±0.25(0.01)



Schematic:

