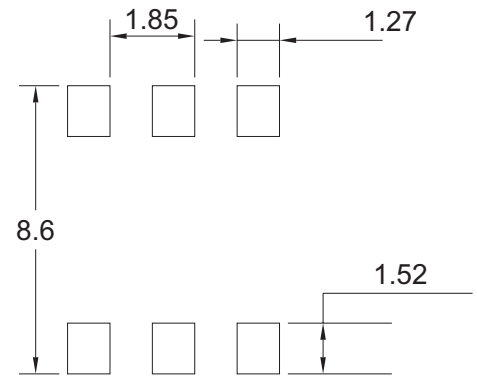
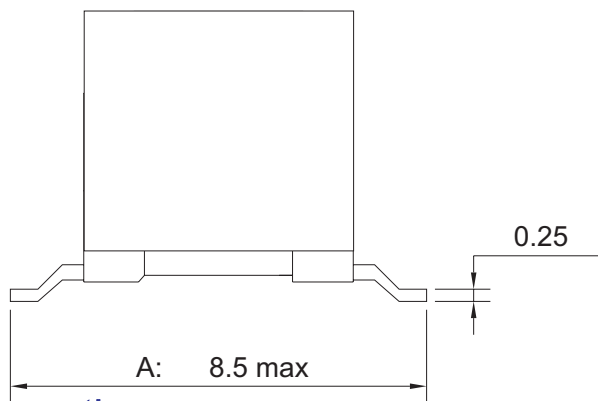
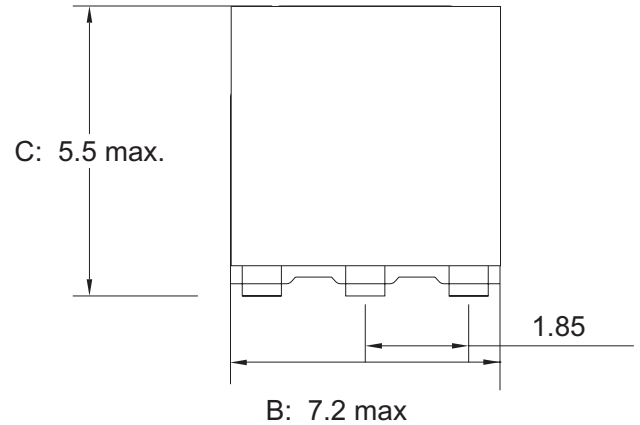
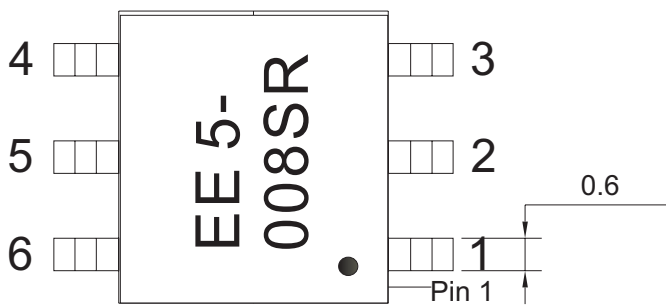
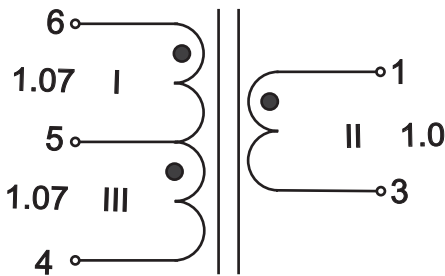


### 2. Mechanical Dimensions:



### 5. Schematic:



Unit: mm

DIM. A	DIM. B	DIM. C
8.5 MAX	7.2 MAX	5.5 MAX

### 3. Electrical Characteristics :

Specifications: at 25 degree C. Operating Temperature -40 to +85°C			
NO.	ITEM	TEST CONDITION	SPECIFICATION
1	Inductance	(6-4))@50KHz, 0.25V	2.0mH Min.
2	Leakage Inductance	(6-4) with (1-3) shorted@200KHz,0.1V	3.6uH Max.
3	CWW	(1,3)-(6,4) @ 200KHz,0.1V	100pF Max.
4	HI-POT	(3-4)	500Vac 1mA 5Sec.
5	T/R	(6-5):(1-3):(5-4)	1.07 : 1 : 1.07