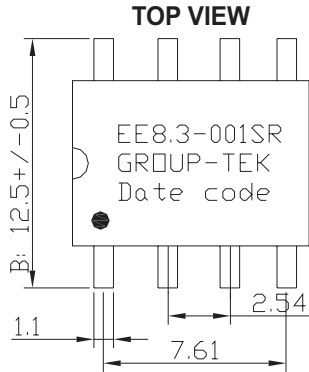
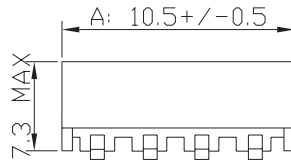


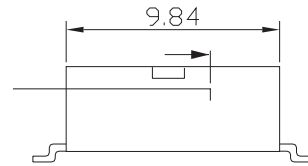
1. Mechanical Dimensions:



FRONT VIEW

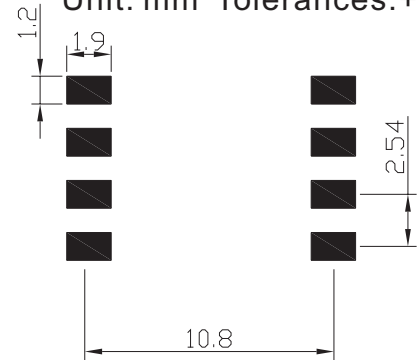


SIDE VIEW



PC BOARD LAYOUT GRID

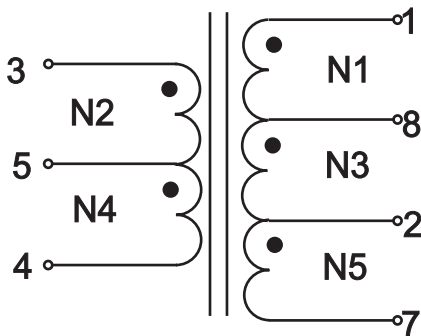
Unit: mm Tolerances: +/-0.2



Unit: mm

A	B	C
+/-0.5	+/-0.5	MAX
10.6	12.5	7.3

2. Schematic:



3. Electrical Characteristics :

Specifications: at 25 degree C. Operating Temperature -40 to +85°C

No.	ITEM	TEST CONDITION	SPECIFICATION
1	Inductance	(3-4) @100Khz, 0.1v	3.38uH MAX
		(3-4) @100Khz, 0.1v 6ADC ,0.25S	2.7uH MIN.
2	LK. Inductance	(3-4)with (1,2,7,8)shorted @100Khz,0.1v	0.16uH Max.
3	DCR	(1-8) @ 25°C	0.40Ω Max
		(8-2) @ 25°C	0.44Ω Max
		(2-7) @ 25°C	0.48Ω Max
		(3-5) @ 25°C	0.06Ω Max
		(5-4) @ 25°C	0.07Ω Max
4	HI-POT	Pri-Sec	500Vac, 1mA ,1Sec.
		pri,Sec-Core	500Vac, 1mA ,1Sec.
5	T/R	(1-8):(2-7)	1:1±7%
		(1-8):(8-2)	1:1±7%
		(1-8):(3-5)	2.57: 1±7%
		(1-8):(5-4)	2.57: 1±7%