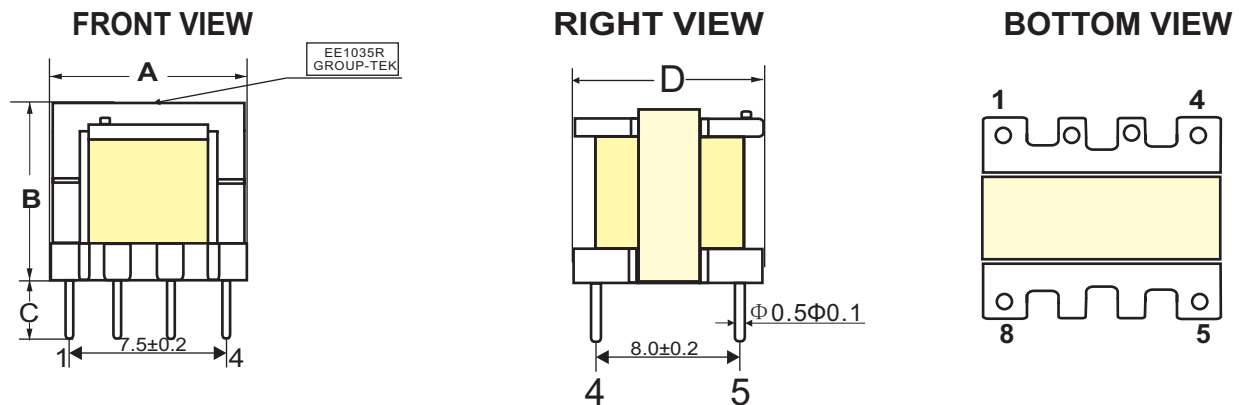
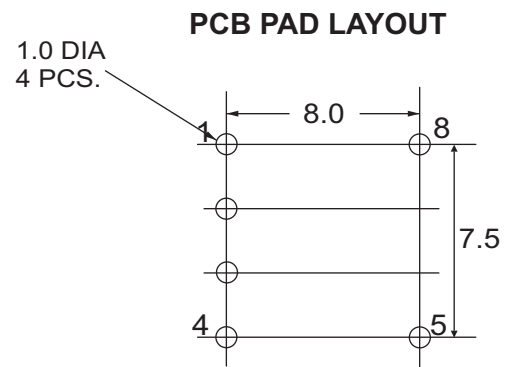
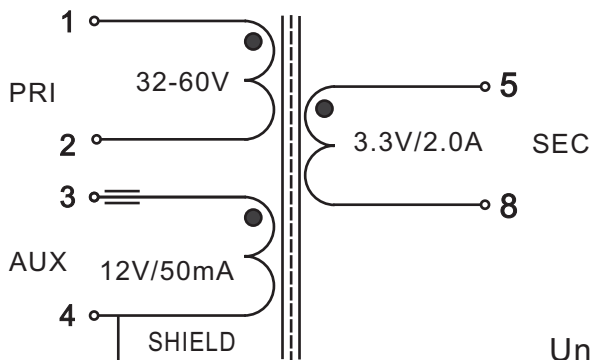


1. Mechanical Dimensions:



2. Schematic:



Unit: mm

A MAX.	B MAX.	C ±0.5	D MAX
11.5	12.5	3.4	11.5

3. Electrical Characteristics :

Specifications: at 25 degree C. Operating Temperature -40 to +85°C

NO.	ITEM	TEST CONDITION	SPECIFICATION
1	Inductance	(1-2) @1KHz, 1.0V	25.7uH ±10%.
2	Leakage Inductance	(1-2) @100KHz, 1.0V	1.0u Max.
3	DCR	(1-2) @25°C	116.4mΩMax.
4	DCR	(3-4) @25°C	470mΩMax.
5	DCR	(5-8) @25°C	25.0mΩMax.
6	HI-POT	(1,3--5,8)	600Vac 5mA 3Sec.
7	TURN RATIO	PRI:SEC:AUX	12:3:6±2%.