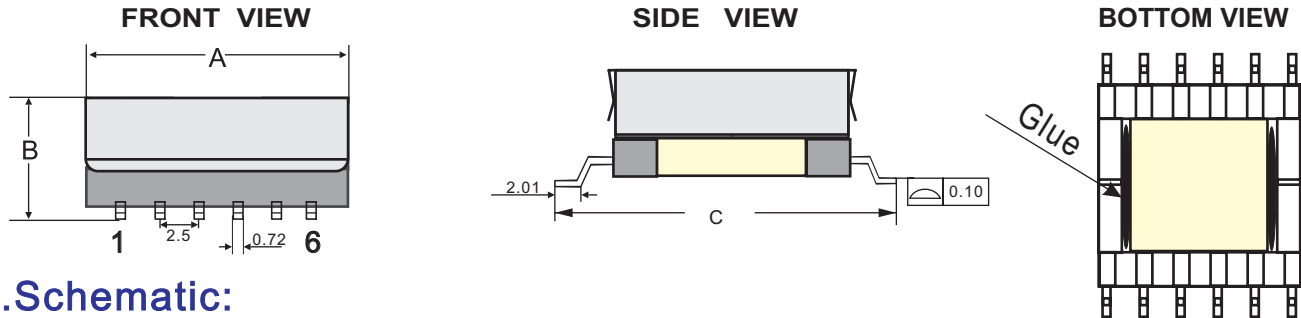
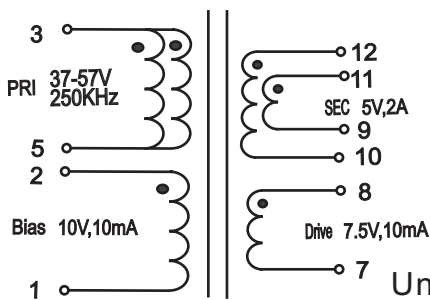


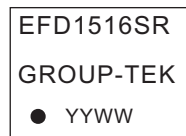
### 1. Mechanical Dimensions:



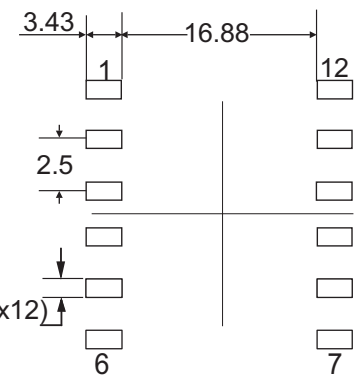
### 2. Schematic:



Marking information



PCB PAD LAYOUT (TOP)



Unit: mm

| A<br>MAX | B<br>±0.5 | C<br>MAX |
|----------|-----------|----------|
| 17.2     | 8.51      | 22.0     |

### 3. Electrical Characteristics :

Specifications: at 25 degree C. Operating Temperature -40 to +85°C

| NO. | ITEM               | TEST CONDITION                           | SPECIFICATION     |
|-----|--------------------|--|-------------------|
| 1   | Inductance         | (3--5)@100kHz, 0.1V                      | 150uH±10%         |
| 2   | Inductance         | (3--5)@100kHz, 0.1V                      | 135uH Min 1.2A    |
| 3   | HI-POT             | PRI TO SEC                               | 1500Vac 1mA 2Sec. |
| 4   |                    | All Windings TO CORE                     | 500Vac 1mA 2Sec.  |
| 5   | Leakage Inductance | (3--5) @100kHz,0.1Vac shorted other pins | 2.0uH Max.        |
| 6   | DCR                | (3-5) @ 25°C                             | 0.52Ω Max         |
| 7   |                    | (2-1) @ 25°C                             | 0.77Ω Max         |
| 8   |                    | (8-7) @ 25°C                             | 0.53Ω Max         |
| 9   |                    | (12,11-10,9) @ 25°C                      | 0.03Ω Max         |
| 10  | TURN RATIO         | (3-5):(2-1)                              | 2.25:1±2%         |
| 11  |                    | (3-5):(8-7)                              | 3.2:1±2%          |
| 12  |                    | (3-5):(12,11-10,9)                       | 5:1±2%            |