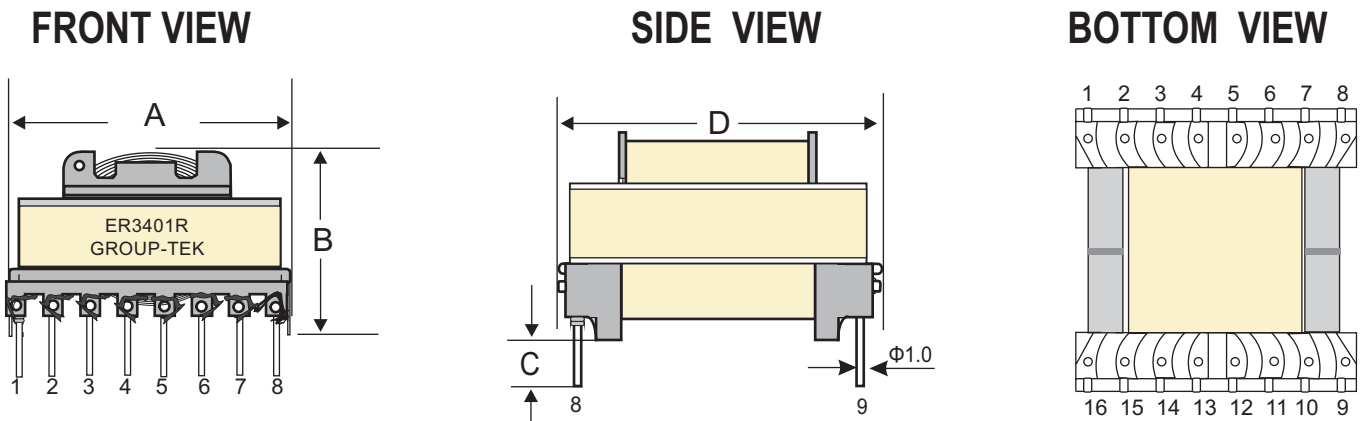
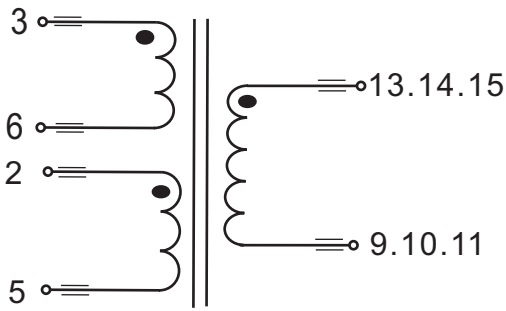


1. Mechanical Dimensions:



2. Schematic:

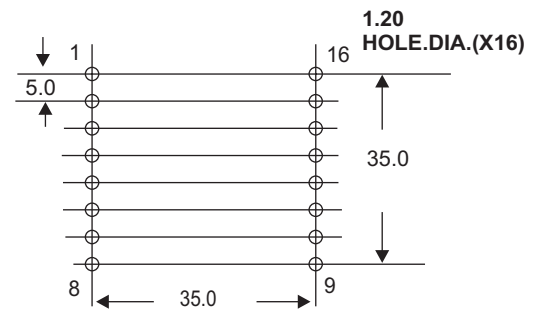


Unit: mm

A MAX	B MAX	C +/-0.5	D MAX
41.0	30.0	4.0	45.0

PCB LAYOUT

Unit: mm Tolerances: +/-0.3



3. Electrical Characteristics :

Specifications: at 25°C . Operating Temperature -40 to +85°C

NO.	ITEM	TEST CONDITION	SPECIFICATION
1	Inductance	(2,3-5,6)@10kHz, 0.25Vac	450u Min
2	Leakage Inductance	(2,3-5,6)@100kHz, 0.25Vac shorted other pins	3.0uH Max.
3	DCR	(2,3-5,6) @ 25°C	15mΩ TYP
4	DCR	(9,10,11-13,14,15) @ 25°C	10mΩ TYP.
5	HI-POT	(N1,N3,N4--N2)	4242Vac,5mA,1SEC
6	HI-POT	(All windings--CORE)	1800Vac,5mA,1SEC