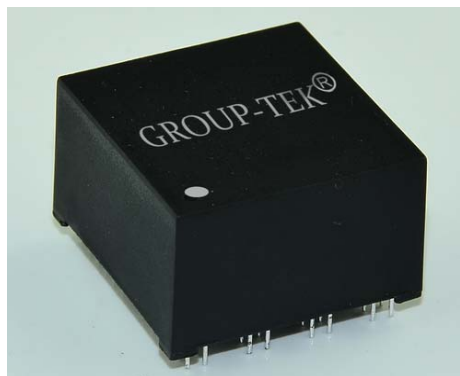


1000BASE-T QUAD MAGNETICS MODULES

Features:



- Designed for long haul Gigabit Ethernet 100/1000Base-T, full Quad channels applications.
- LL:0.5uH Max @100KHz, 0.1V
- Cww:50pF Max@100KHz, 0.1V
- Primary DCR:0.9ΩMax;Secondary DCR:1.2ΩMax.
- Supports Auto MDIX in 16 pairs of category 5 UTP cable
- Cable interface for isolation and low common mode emissions
- Compliant with IEEE 802.3ab standard for 1000Base-T
- Storage Temperature -25°C to +125°C.
- RoHS compliance

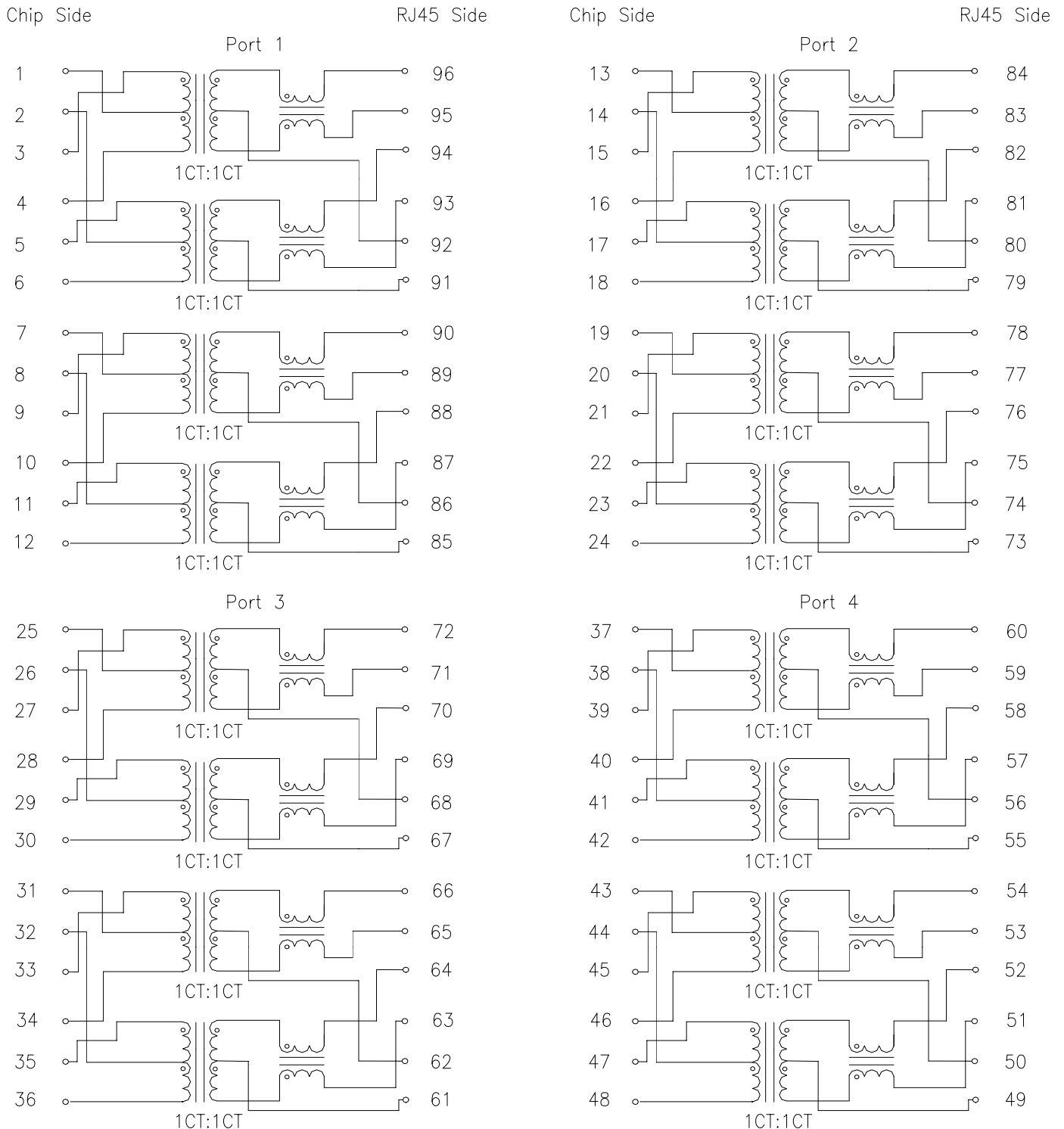
| P/N | HST-96205DR | | |
|---|--|-------------|--------------|
| Parameter | Specifications at 25°C. Operating Temperature 0°C to 70°C | | |
| Insertion Loss | 1MHz-100MHz | | |
| | -1.0 dB MAX | | |
| Return Loss | 1MHz~40MHz | 40MHz~80MHz | 80MHz~100MHz |
| | -18dB | -12dB | -10dB |
| Inductance (OCL) (Cable Side, 0°C-70°C) | 350 uH MIN (Measured at 100kHz, 100mVRMS and with 8 mA DC BIAS) | | |
| Turn Ratio | 1CT:1CT+/-2% @ 100kHz, 0.1V | | |
| Crosstalk | 1MHz~30MHz | 30MHz~60MHz | 60MHz~100MHz |
| | -40dB | -35dB | -30dB |
| Differential to Common Mode Rejection Ratio | 30MHz~60MHz | | 60MHz~100MHz |
| | -40dB MIN | | -35dB MIN |
| Input - Output Isolation | 1500VAC, 50Hz, @ 60 Seconds | | |

10/100/1000BASE-T QUAD MAGNETICS MODULES

P/N

HST-96205DR

Schematic

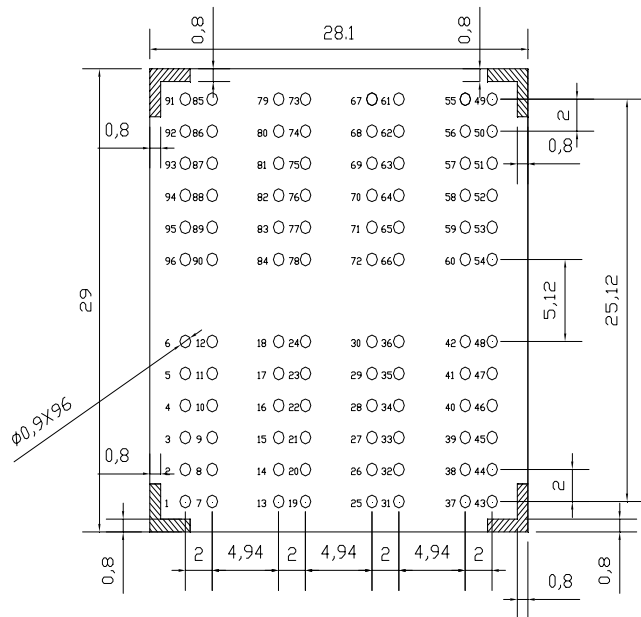
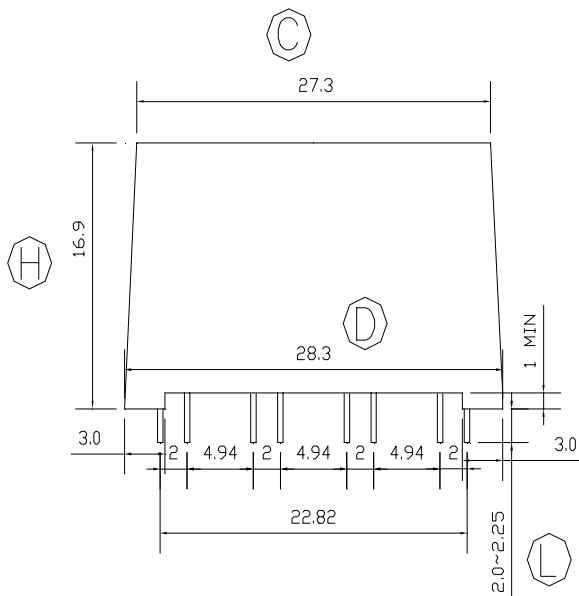
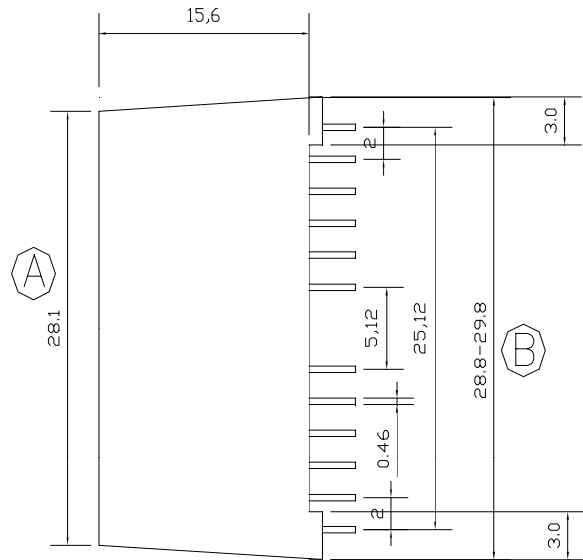




HST-96205DR



Dimension:mm(inch)Unless otherwise specified , all tolerance are +/-0.25(0.01)



NO COMPONENT AREA.
Suggested Customer PCB Layout
(Component Side)