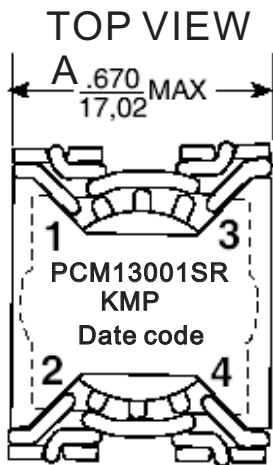
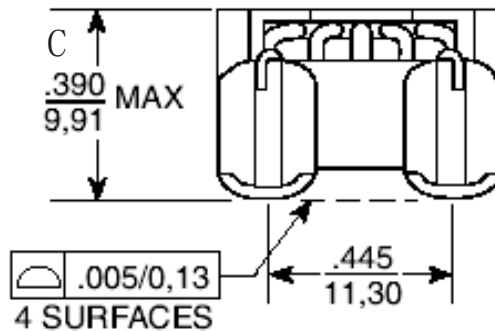


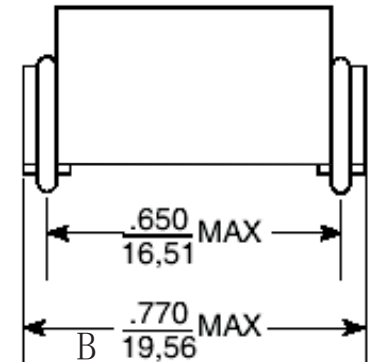
2. Mechanical Dimensions:



FRONT VIEW



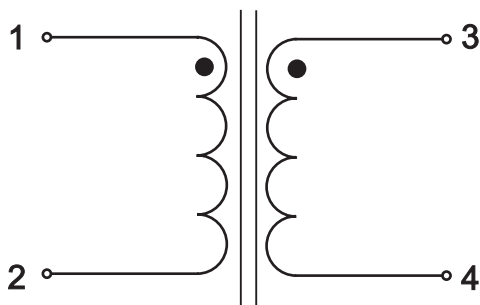
SIDE VIEW



PCB LAYOUT

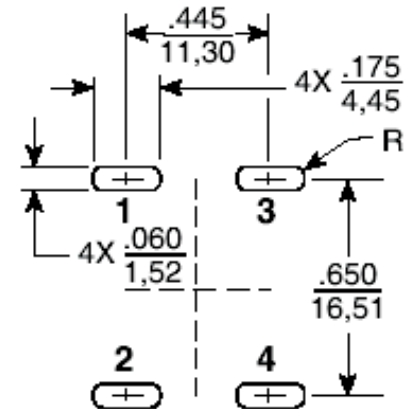
Unit: mm Tolerances: +/-0.2

5. Schematic:



Unit: mm

A MAX	B MAX	C MAX
17.02	19.56	9.91



3. Electrical Characteristics :

Specifications: at 25 degree C. Operating Temperature -40 to +85°C

NO.	ITEM	TEST CONDITION	SPECIFICATION
1	Inductance	(1-2)(3-4)@10KHz, 0.1V	770uH +/-35%
2	DCR	(1-2)(3-4) @ 25°C	40 mΩ Max
3	T/R	(1-2):(3-4)	1:1
4	HI-POT	1, 2 TO3,4	1.0KVac 1mA,1Sec
5	IDC		4.7A MAX.
6	IMPEDANCE	1M	60Ω Min
7		2M	140Ω Min
8		3M	200Ω Min
9		4M	300Ω Min
9		5M	380Ω Min