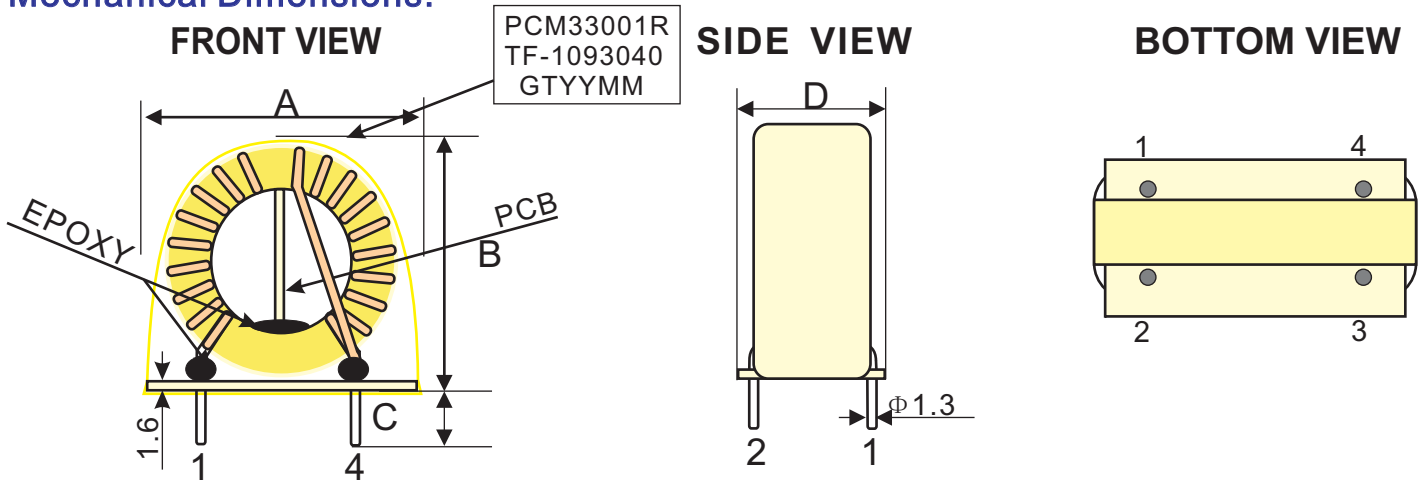
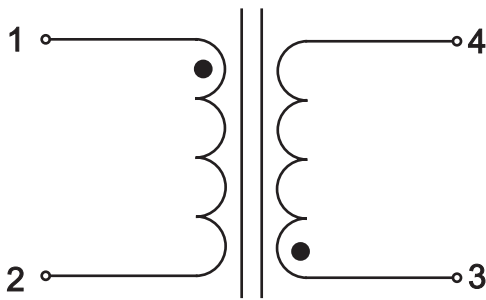


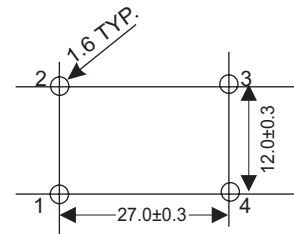
### 1. Mechanical Dimensions:



### 2. Schematic:



#### PCB LAYOUT



Unit: mm

A MAX	B MAX	C ±0.5	D MAX
42.5	42.5	2.5	18.0

### 3. Electrical Characteristics :

Specifications: at 25 degree C. Operating Temperature -40 to +85°C

NO.	ITEM	TEST CONDITION	SPECIFICATION
1	Inductance	(1-2)(3-4) @10KHz,0.3V	26uH ±15%
2	DCR	(1-2)(3-4) @25°C	15mΩ Max.
3	HI-POT	(1-2) to (3-4)	1000Vac,1mA,2SEC