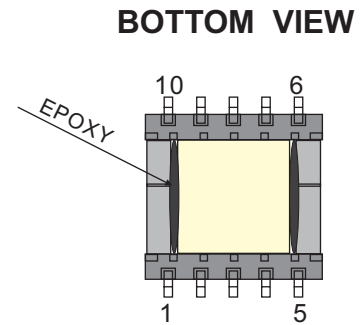
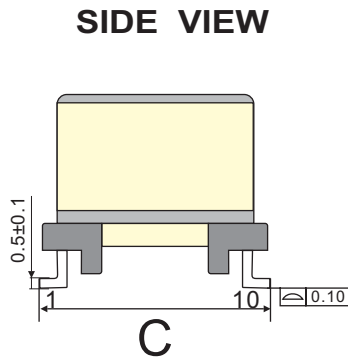
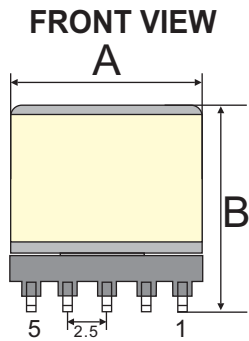
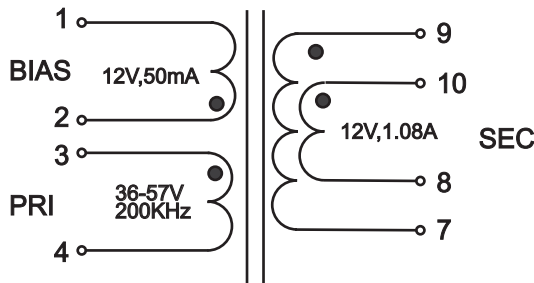


### 1. Mechanical Dimensions:



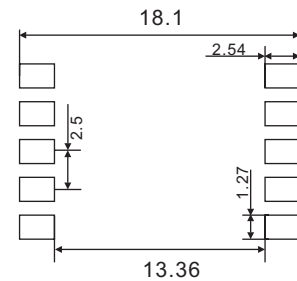
### 2.Schematic:



#### Marking information



#### Suggested PCB Paad Layout



Unit: mm Tolerances: +/-0.2

A MAX	B MAX	C MAX
14.0	12.7	17.8

### 3.Electrical Characteristics :

Specifications: at 25 degree C. Operating Temperature -40 to +85°C			
NO.	ITEM	TEST CONDITION	SPECIFICATION
1	Inductance	(3-4) )@100kHz, 0.1v	127uH+/-10%
2	Leakage Inductance	(3-4) with shorted other@100kHz, 0.1v	0.65uH MAX
3	DCR	(3-4) @ 25°C	199m Ω Max
4		(7,8-9,10) @ 25°C	65mΩ Max
5		(1-2) @ 25°C	308 mΩ Max
6	HI-POT	PRI TO SEC	1500Vac 1mA 3Sec.
7	T/R	(3-4):(7,8-9,10):(2-1)	1:0.5:0.5+/-2%