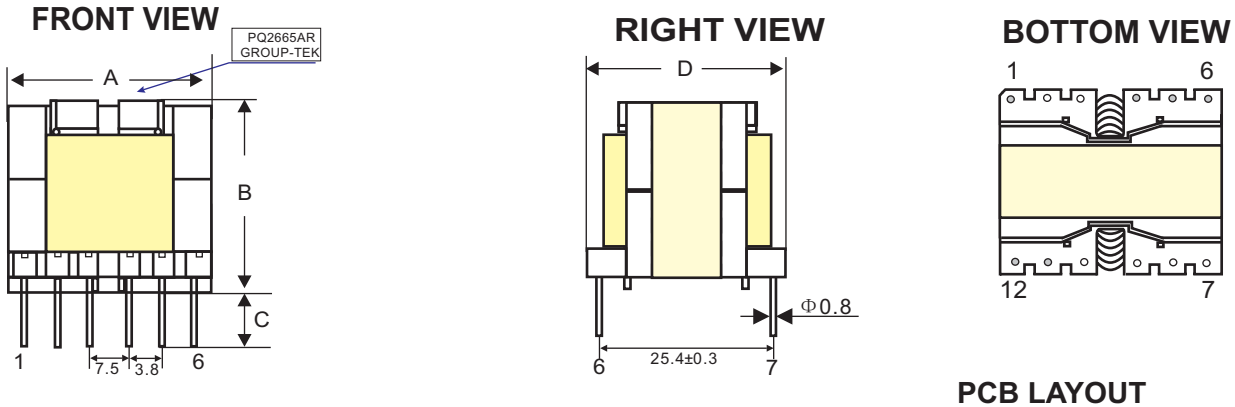
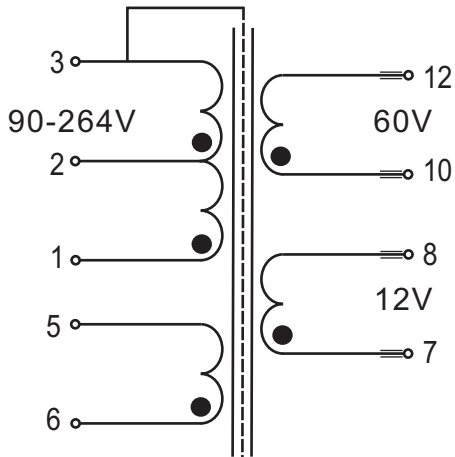


1. Mechanical Dimensions:



2. Schematic:



Unit: mm

A MAX	B MAX	C ± 0.5	D MAX
29.5	28.0	4.0	30.5

3. Electrical Characteristics :

Specifications: at 25°C . Operating Temperature -40 to +85°C

NO.	ITEM	TEST CONDITION	SPECIFICATION
1	Inductance	(1--3)@40kHz, 1.0Vac	170uH $\pm 5\%$.
2	Leakage Inductance	(1--3)@40kHz, 1.0Vac	8.0uH Max.
4	DCR	(1--3) @ 25°C	110m Ω Max.
5	DCR	(6--5) @ 25°C	210m Ω Max.
6	DCR	(7--8) @ 25°C	145m Ω Max.
7	DCR	(10--12) @ 25°C	75m Ω Max.
8	HI-POT	(PRI,AUX-SEC)	2000Vac,1mA,2SEC
9	HI-POT	(PRI,AUX,SEC-CORE)	1000Vac,1mA,2SEC