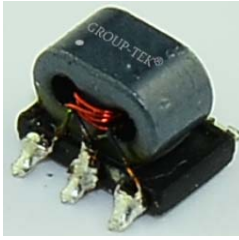


RF TRANSFORMER



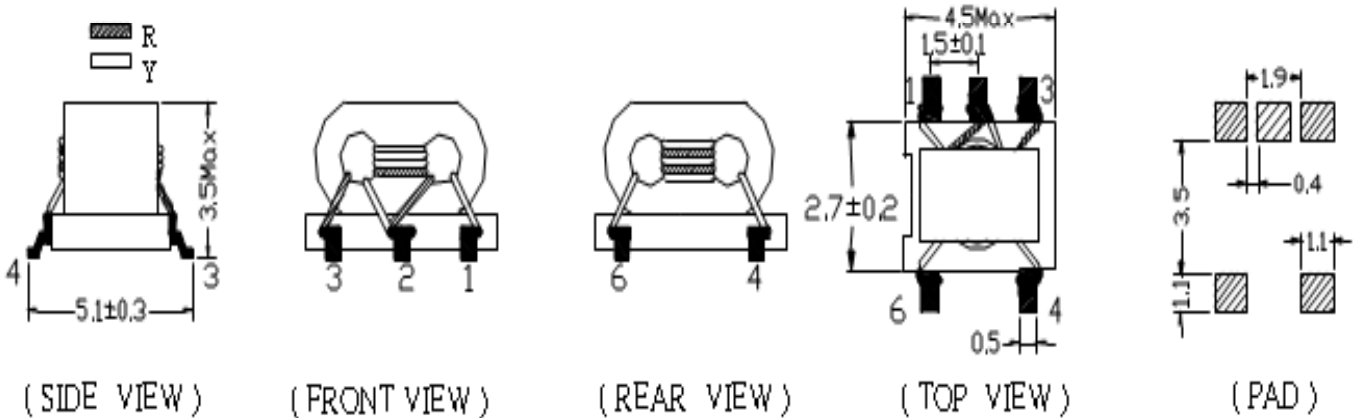
Features:

- For wideband RF applications.
- Excellent insertion loss.
- 75Ω impedance.
- Designed for IR reflow up to 260°C.
- RoHS compliance

Electrical Specifications: at 25°C, Operating Temperature 0°C to +70°C

Part NO	Impedance Ratio Pri:Sec	Insertion loss M Hz (dB Max.)	Hipot	Turn Ratio Pri:Sec (±3%)
		3-250	2mA, 1 Min.	
RFT080R	1:1	-3.5	500VAC	YL1 (1-2)= RL2 (2-3)=3Ts(fixed) , YL3 (4-6)=6Ts(fixed)

Dimension:mm(inch), Unless otherwise specified , all tolerance are+/-0.25(0.01)



Schematic:

