

1000BASE-T MAGNETICS

Features:

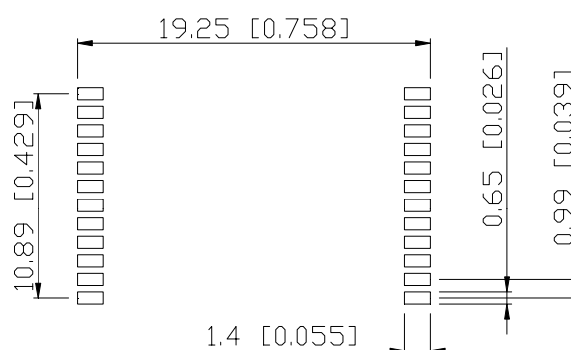
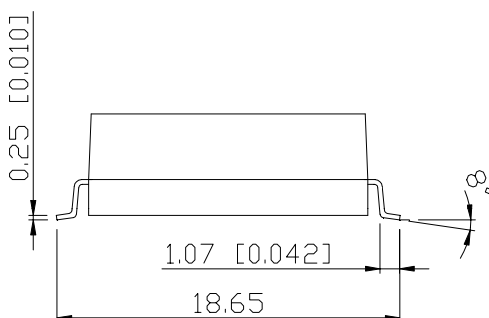
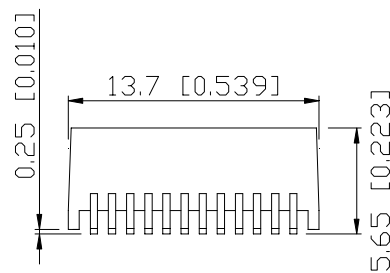
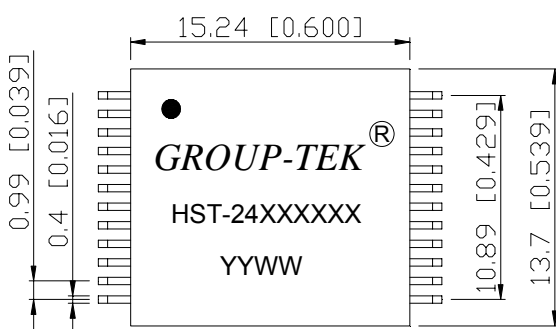


- Compliant with IEEE 802.3 standard for 1000Base-T;
- Primary(PIN2-3,PIN5-6,PIN8-9,PIN11-12) inductance(Lp) 350uH min.@ 100KHz,0.1Vrms,8mA.
- LL(PIN2-3 ShortPIN23+22,PIN5-6 ShortPIN20+19,PIN8-9 ShortPIN17+16, PIN11-12 ShortPIN14+13):0.5uH Max @100KHz, 0.1V
- Cww(PIN2,3 With PIN23,22,PIN5,6 With PIN20,19,PIN8,9 With PIN17,16, PIN11,12 With PIN14,13):30pF Max@100KHz, 0.1V
- Primary(PIN2-3,PIN5-6,PIN8-9,PIN11-12) DCR:0.9ΩMax; Secondary(PIN23-22,PIN20-19,PIN17-16,PIN14-13) DCR:1.2ΩMax.
- Designed for reflow soldering at temperatures up to 260°C .
- RoHS compliance

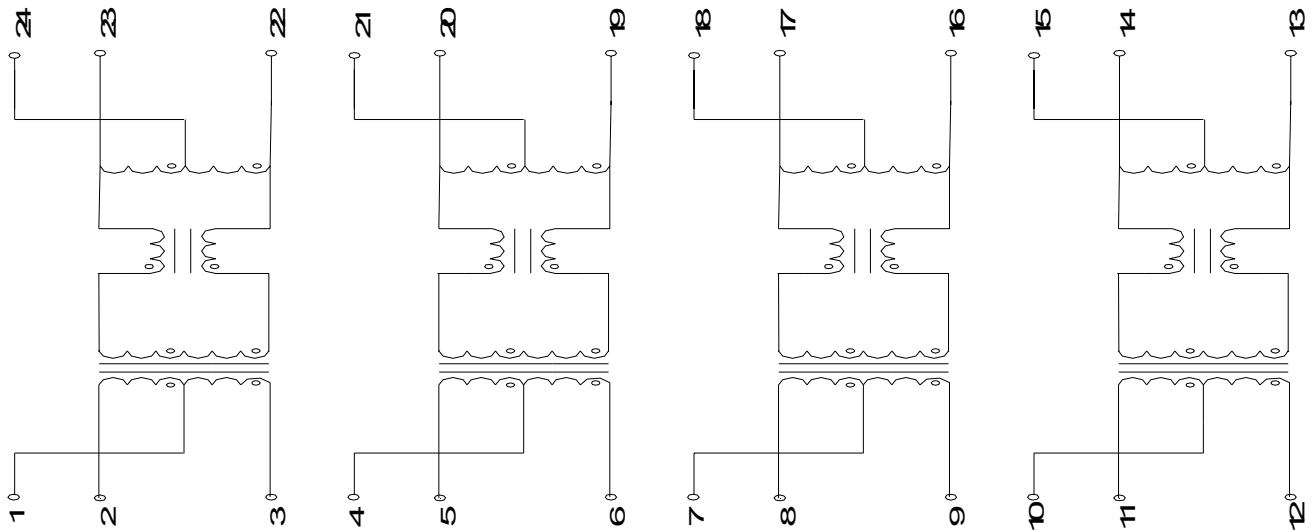
Electrical Specification@25°C

Part NO	Turn Ratio TX &RX. (±5%)	PoE or Non PoE	Operating Temperature	Insertion Loss (dB MAX)	Return Loss (dB MIN @ 100 Ω)					Differential to Common Mode Rejection (dB MIN)			Crosstalk (dB MIN)			Hipot (Vrms MIN)
					1-100 MHz	1-30MHz	40MHz	50MHz	60-80MHz	100MHz	30MHz	60MHz	100MHz	30MHz	60MHz	
HST-24011SCR	1CT:1CT&1CT:1CT	Non PoE	0 to +70°C	1.00	-18	-18	-16	-12	-10	-43	-37	-33	-45	-40	-35	1500VAC/1mA/60S
HST-24011SXR	1CT:1CT&1CT:1CT	Non PoE	-40 to +85°C	1.00	-18	-18	-16	-12	-10	-43	-37	-33	-45	-40	-35	1500VAC/1mA/60S
HST-24011SAR	1CT:1CT&1CT:1CT	Non PoE	0 to +70°C	1.00	-18	-18	-16	-12	-10	-43	-37	-33	-45	-40	-35	1500VAC/1mA/60S
HST-24037SCR	1CT:1CT&1CT:1CT	Non PoE	0 to +70°C	1.00	-18	-18	-16	-12	-10	-43	-37	-33	-45	-40	-35	1500VAC/1mA/60S
HST-24037SXR	1CT:1CT&1CT:1CT	Non PoE	-40 to +85°C	1.00	-18	-18	-16	-12	-10	-43	-37	-33	-45	-40	-35	1500VAC/1mA/60S
HST-24091SCR	1CT:1CT&1CT:1CT	PoE	0 to +70°C	1.00	-18	-18	-16	-12	-10	-43	-37	-33	-45	-40	-35	1500VAC/1mA/60S
HST-24091SXR	1CT:1CT&1CT:1CT	PoE	-40 to +85°C	1.00	-18	-18	-16	-12	-10	-43	-37	-33	-45	-40	-35	1500VAC/1mA/60S

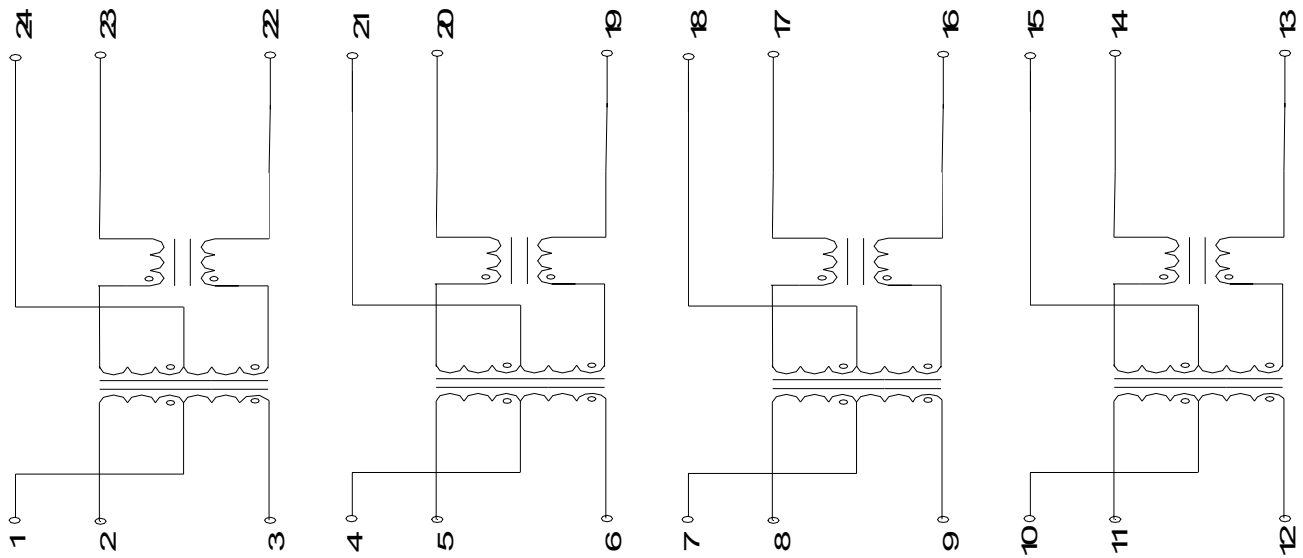
Dimension:mm(inch),Unless otherwise specified , all tolerance are±0.25(0.01)



Schematic:HST-24011SCR/HST-24011SXCR/HST-24011SAR



Schematic:HST-24037SCR/HST-24037SXCR



Schematic:HST-24091SCR/HST-24091SXCR

