

1000 BASE -TX TRANSFORMER MODULES



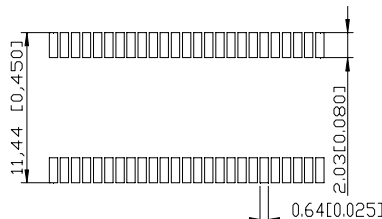
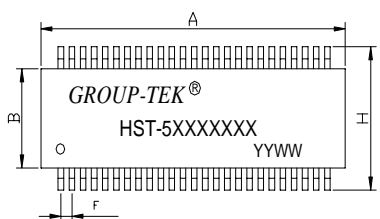
Features:

- Compliant with IEEE 802.3 standard for 1000Base-T.
- Primary including 350uH@100KHz 100mV 8mA DC Bias.
- Capacitance between winding: 35pF Max at 100KHz, 1V.
- Leakage inductance 0.5uH Max at 100KHz, 0.1V.
- Designed for reflow soldering at temperatures up to 260°C.
- Storage temperature -25°C to +125°C.
- RoHS compliance.

Electrical Specification@25°C

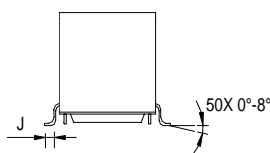
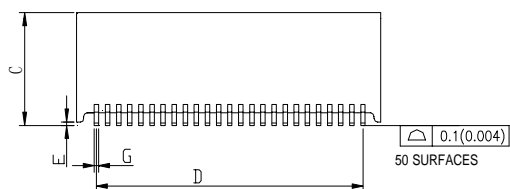
Part No.	Turn Ratio TX &RX.	PoE or Non PoE	Operating Temperature	Insertion loss (dB max) MHz	Return loss (dB Min) MHz					Differential To Common Mode Rejection (dB Min) MHz			Crosstalk (dB Min) MHz			Isolation Volage (Vrms)
					0.1-100	1-30	40	50	60-80	100	30	60	100	30	60	
HST-50001SCR	1CT:1CT&1CT:1CT	Non PoE	0 to +70°C	-1.0	-18	-14.4	-13.1	-12	-10	-40	-35	-30	-40	-33	-28	1500VAC/1mA/60S
HST-50004SCR	1CT:1CT&1CT:1CT	Non PoE	0 to +70°C	-1.0	-18	-14.4	-13.1	-12	-10	-40	-35	-30	-40	-33	-28	1500VAC/1mA/60S
HST-50006SCR	1CT:1CT&1CT:1CT	Non PoE	0 to +70°C	-1.0	-18	-14.4	-13.1	-12	-10	-40	-35	-30	-40	-33	-28	1500VAC/1mA/60S
HST-50008SCR	1CT:1CT&1CT:1CT	Non PoE	0 to +70°C	-1.0	-18	-14.4	-13.1	-12	-10	-40	-35	-30	-40	-33	-28	1500VAC/1mA/60S
HST-50009SCR	1CT:1CT&1CT:1CT	PoE	0 to +70°C	-1.0	-18	-14.4	-13.1	-12	-10	-40	-35	-30	-40	-33	-28	1500VAC/1mA/60S
HST-50010SCR	1CT:1CT&1CT:1CT	PoE	0 to +70°C	-1.0	-18	-14.4	-13.1	-12	-10	-40	-35	-30	-40	-33	-28	1500VAC/1mA/60S
HST-50011SCR	1CT:1CT&1CT:1CT	Non PoE	0 to +70°C	-1.0	-18	-14.4	-13.1	-12	-10	-40	-35	-30	-40	-33	-28	1500VAC/1mA/60S
HST-50012SCR	1CT:1CT&1CT:1CT	PoE	0 to +70°C	-1.0	-18	-14.4	-13.1	-12	-10	-40	-35	-30	-40	-33	-28	1500VAC/1mA/60S
HST-50013SCR	1CT:1CT&1CT:1CT	PoE	0 to +70°C	-1.0	-18	-14.4	-13.1	-12	-10	-40	-35	-30	-40	-33	-28	1500VAC/1mA/60S
HST-50014SCR	1CT:1CT&1CT:1CT	Non PoE	0 to +70°C	-1.0	-18	-14.4	-13.1	-12	-10	-40	-35	-30	-40	-33	-28	1500VAC/1mA/60S

Dimension:mm(inch)Unless otherwise specified , all tolerance are +/-0.25(0.01)

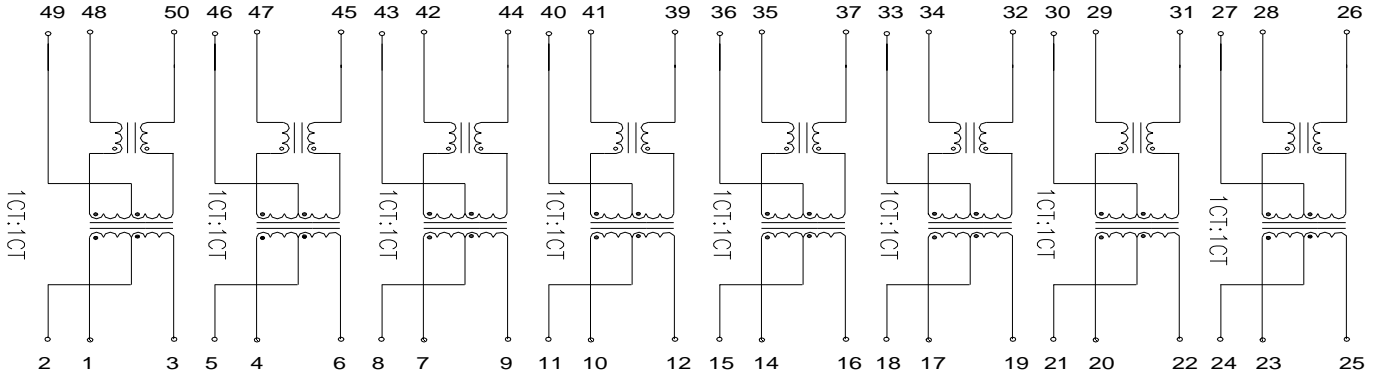


ITEMS	MILLIMETERS		INCHES	
	Center	Tolerances	Center	Tolerances
A	27.78	± 0.500	1.094	± 0.020
B	7.3	± 0.500	0.287	± 0.020
C	8.4	± 0.500	0.331	± 0.010
D	24.48	± 0.127	0.964	± 0.005
E	0.25	± 0.127	0.01	± 0.005
F	1.02	± 0.127	0.04	± 0.005
G	0.38	± 0.127	0.015	± 0.005
H	10.7	± 0.500	0.421	± 0.020
J	0.89	± 0.254	0.035	± 0.010

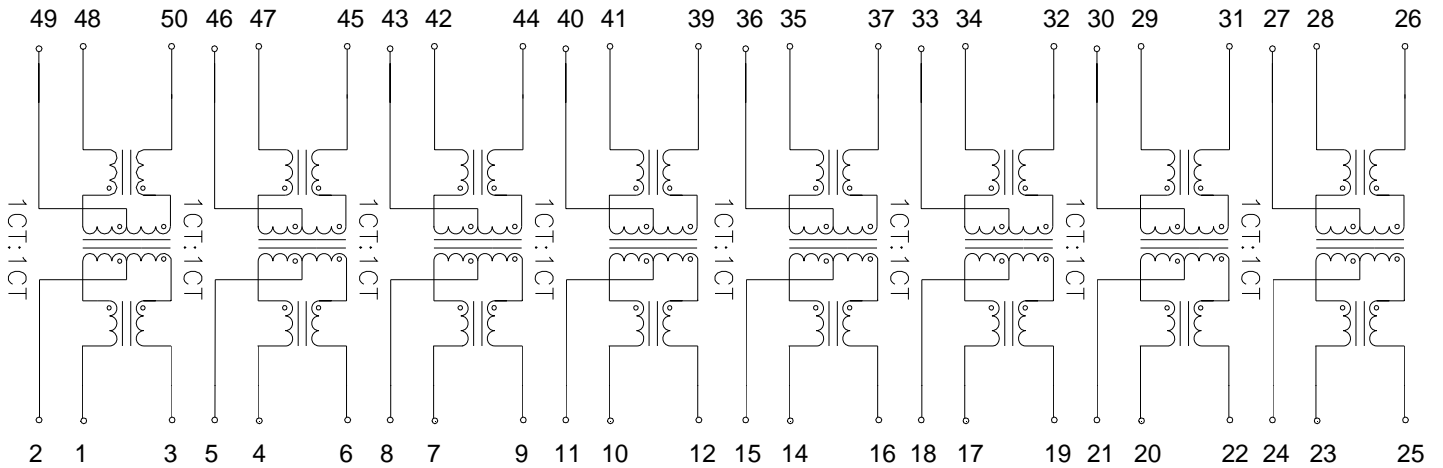
Recommend PAD Layout



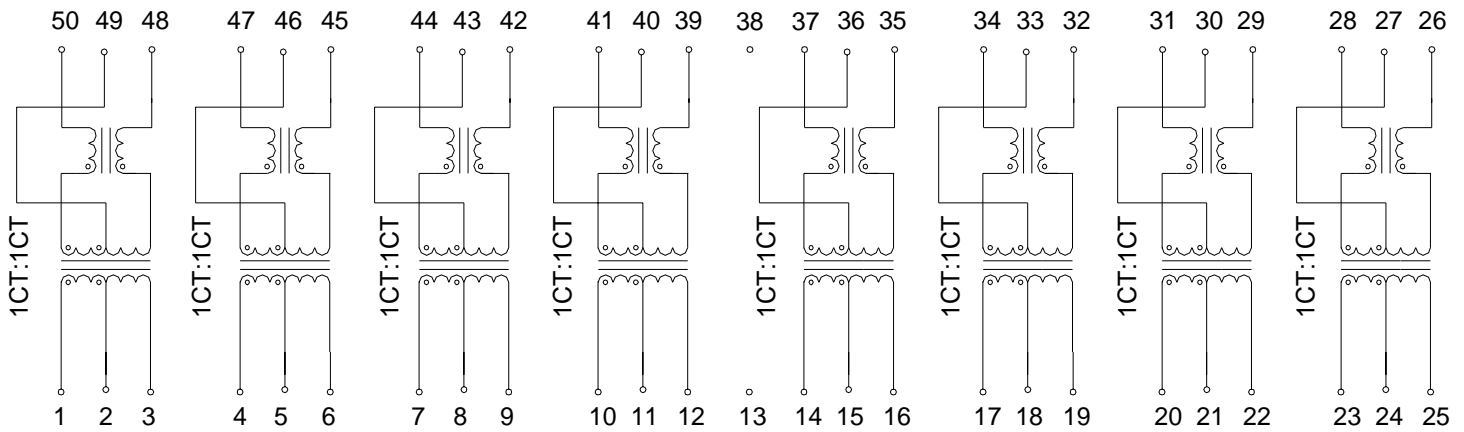
Schematic: HST-5001SCR



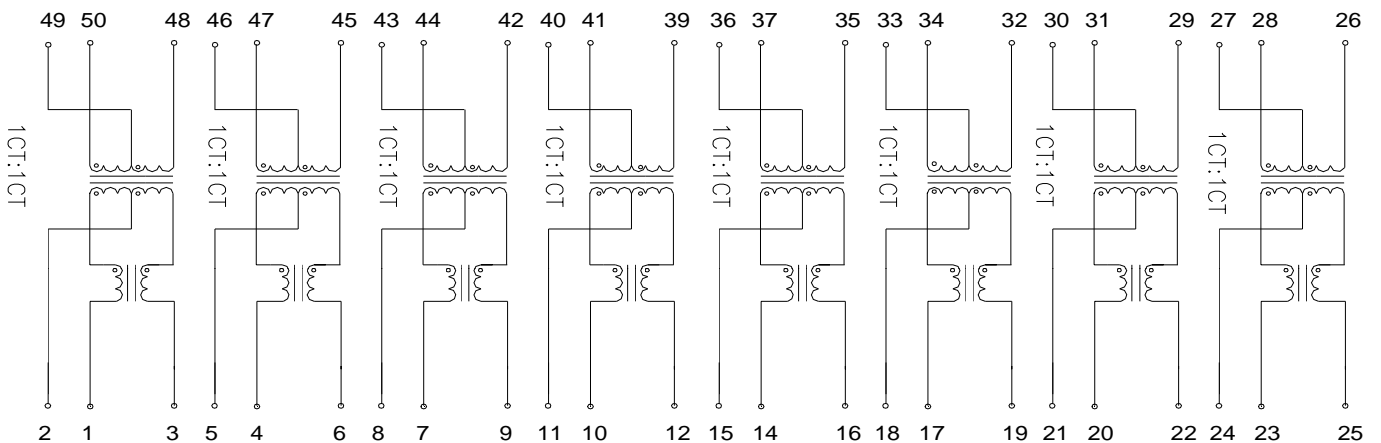
Schematic: HST-5004SCR



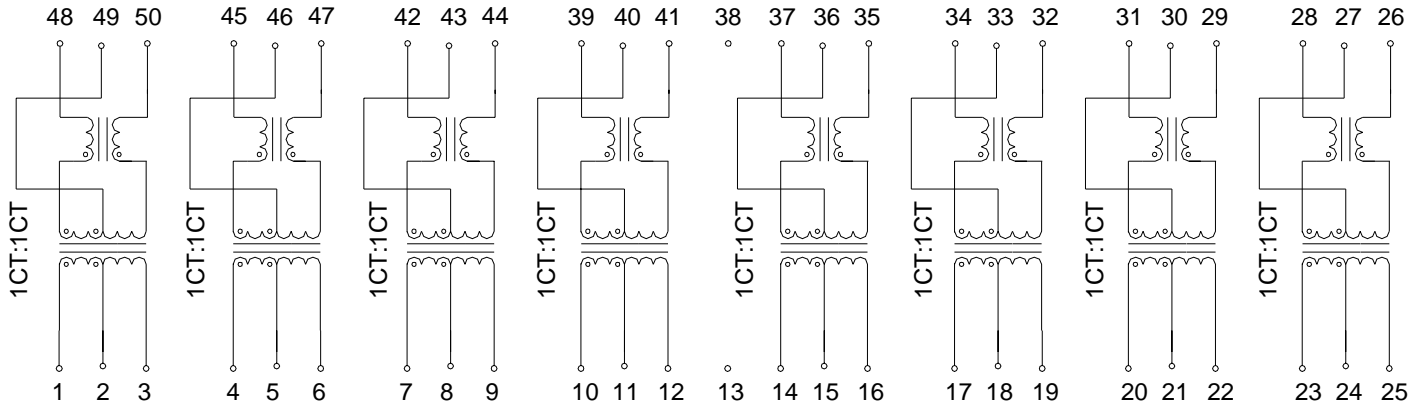
Schematic: HST-5006SCR



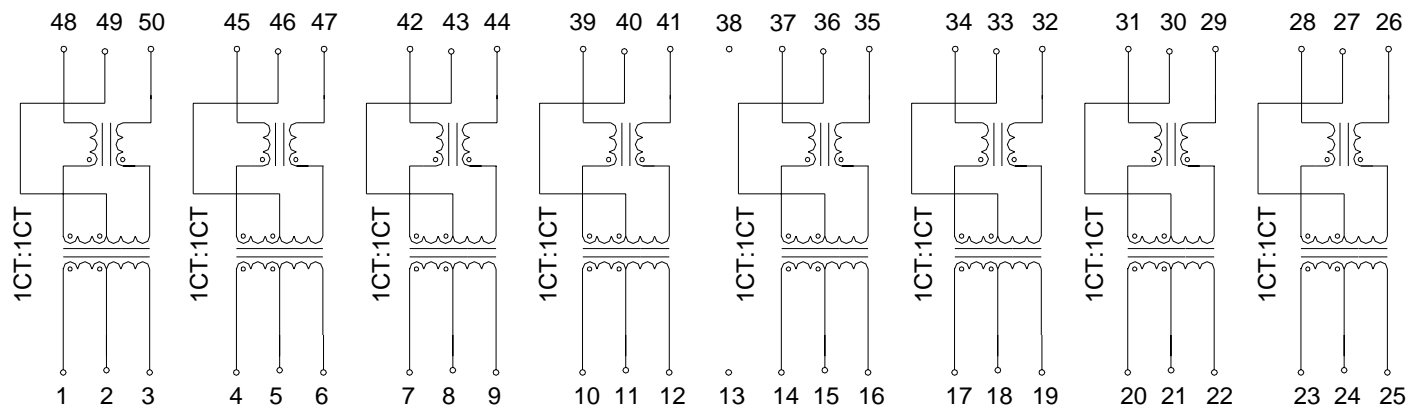
Schematic: HST-5008SCR



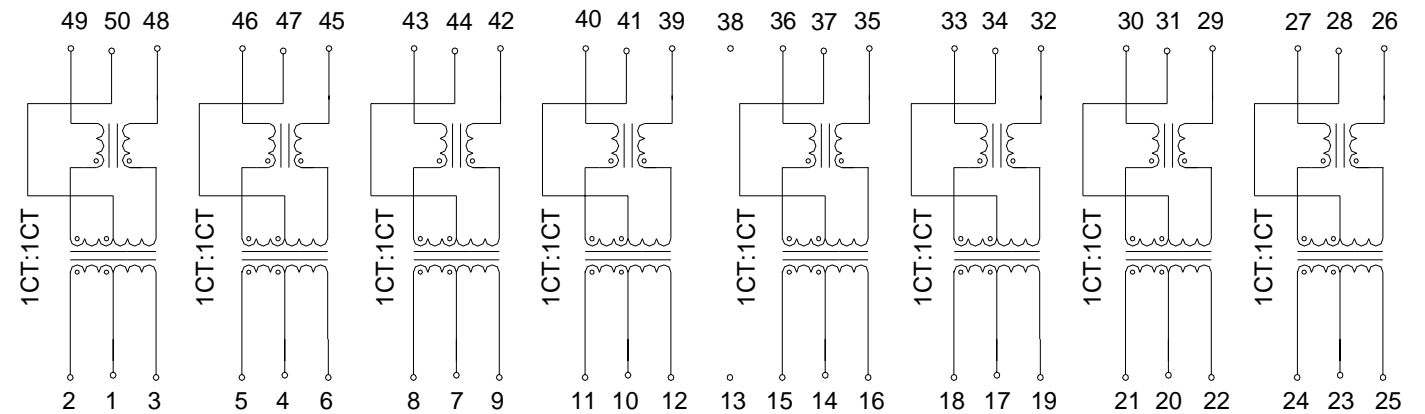
Schematic: HST-5009SCR



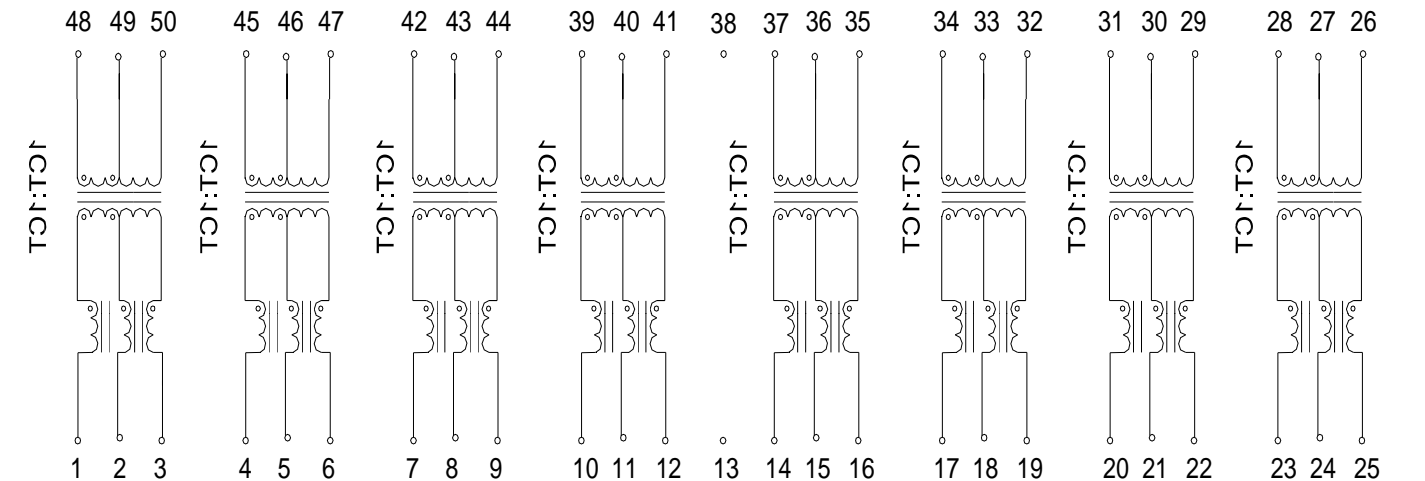
Schematic: HST-50010SCR



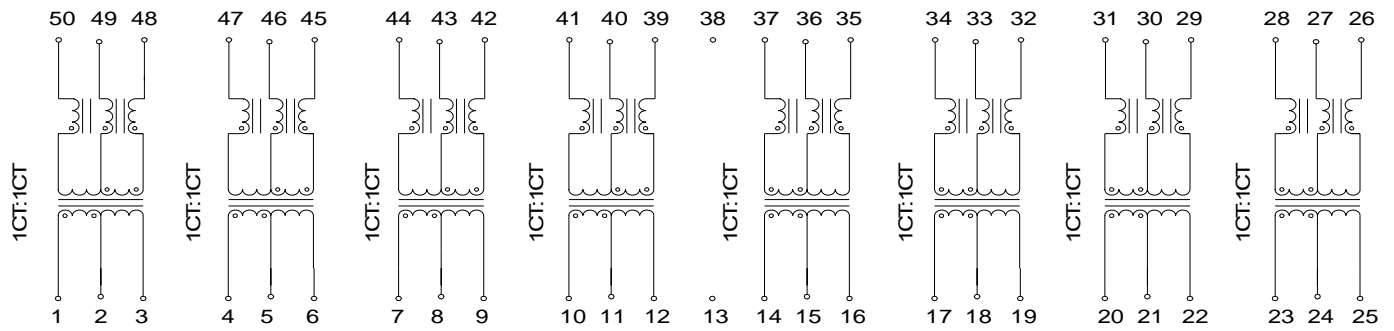
Schematic: HST-50011SCR



Schematic: HST-50012SCR



Schematic: HST-50013SCR



Schematic: HST-50014SCR

