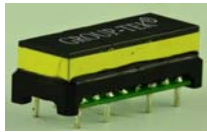


### VDSL SPLITTER

#### Features:

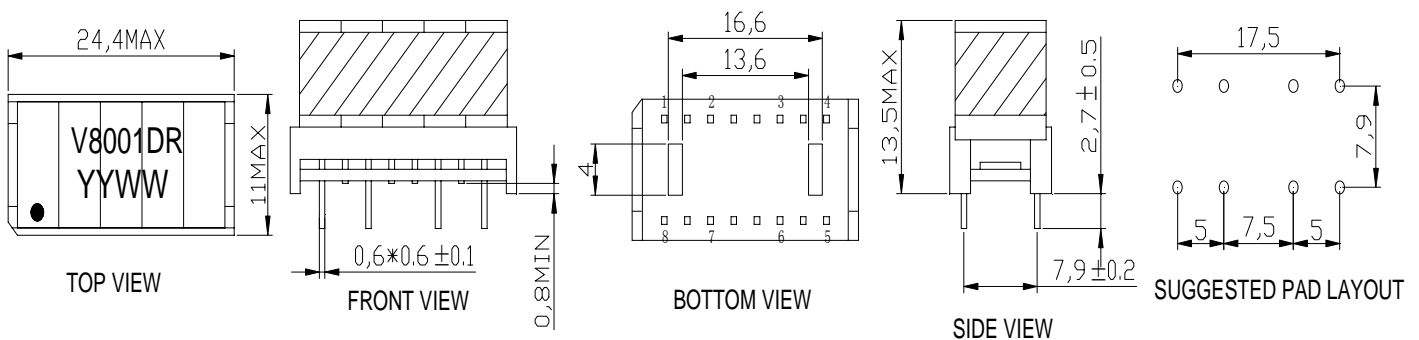


- Meets YD/T 1187-2006 standards of applications
- For ADSL and VDSL 2 applications.
- RoHS compliant.

#### Electrical Specification @25°C Operating Temperature -40 to +85°C

PARAMETER	FREQUENCY	
POTS Impedance	200Hz to 4KHz	600ohm
POTS Insertion Loss	1KHz	-0.3dB Max
POTS Insertion LossDistortion relative to 1KHz	200Hz to 4KHz	±0.3dB Max
POTS Return Loss	300Hz to 500Hz	-14dB Min
	500Hz to 2000Hz	-18dB Min
	2000Hz to 3400Hz	-14dB Min
Group Delay	200Hz to 3.4KHz	-150us Max
Longitudinal Balance	50Hz to 600Hz	-40dB Min
	600Hz to 3.4KHZ	-46dB Min
	3.4KHz to 30KHz	-40dB Min
xDSL band Attenuation	30KHz to 1.1MHz	-45dB Min
	30KHz to 138KHz	-45dB Min
Tip-to-Ring Capacitance	PHONE port	20nF to 115nF
DC Current		0 ~ 100mA
Total DC Resistance		25ohm Max
DC resistance to earth	DC 100V	5 Mohm Min
DC insulation resistance between A and B	DC 100V	1 Mohm Min

Dimension:mm(inch),Unless otherwise specified , all tolerance are±0.25(0.01)



#### Schematic:

