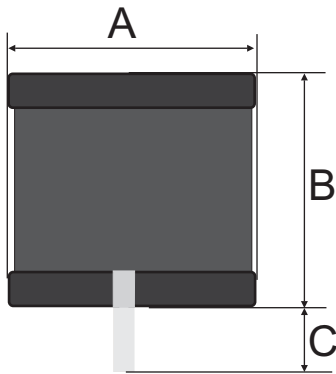
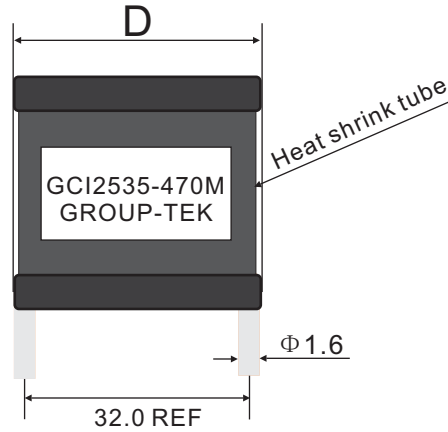


1. Mechanical Dimensions:

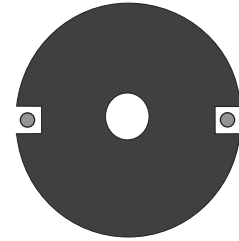
FRONT VIEW



RIGHT VIEW



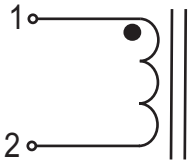
BOTTOM VIEW



Note:

1. Vacuum varnish for the parts.

2. SCHEMATIC:



PCB PAD LAYOUT (TOP)



Unit: mm

A MAX	B MAX	C ±0.5	D MAX
37.0	27.5	4.0	37.0

3. Electrical Characteristics :

Specifications: at 25°C . Operating Temperature -40 to +85°C

NO.	ITEM	TEST CONDITION	SPECIFICATION
1	Inductance	(1-2)@10KHz, 0.3Vac	47uH+/-20%
2	DCR	(1-2) @ 25°C	21mΩ Max