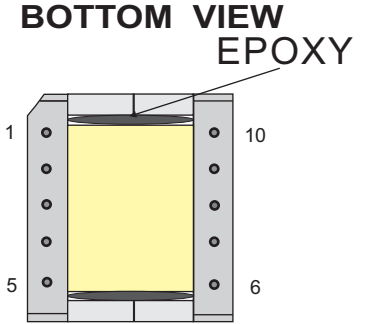
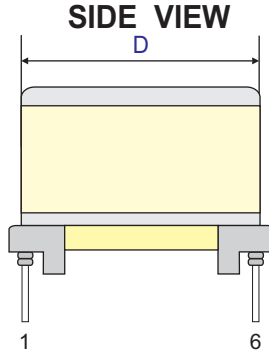
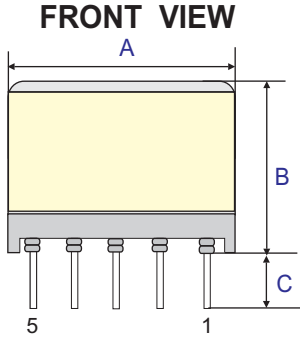


1. Mechanical Dimensions:



Note:

1. Removed the pin.

2. Wrap 2Ts of 7mm tape around the finished part.

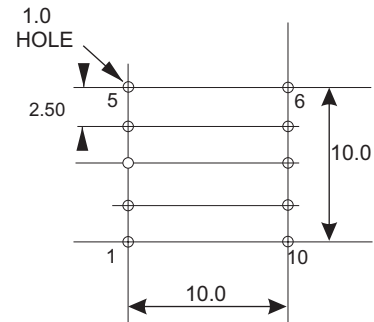
Unit: mm

A MAX	B MAX	C +/-0.5	D MAX
14.5	13.5	3.5	14.5

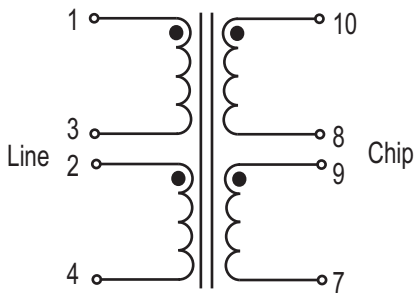
Marking information



SUGGESTED PIN LAYOUT



2. Schematic:



3. Electrical Characteristics :

Specifications: at 25 degree C. Operating Temperature -40 to +85°C

NO.	ITEM	TEST CONDITION	SPECIFICATION
1	Inductance	(1-4) tied(2+3)@10kHz, 0.1v	400uH±10%
2	LK. Inductance	(1-4)with (2+3,10+9+8+7)shorted @1MHz,0.1Vac	1.6uH Max.
3	DCR	(1-4)(short 2-3) @ 25°C	1.5Ω Max
4		(10-7)(short 9-8) @ 25°C	0.7Ω Max
7	HI-POT	Line-Chip	1875Vms 1mA 5Sec.
8	Cww	(1-10) (short 2+3,9+8)100kHz, 0.1v	100pF Max.
9	T/R	(1-4):(10-7) (short 2+3,9+8)	2.5 :1±2%
10	THD	25KHZ, 2.0V	-80 dB Max